

# TRANSITION FROM -SC TO -SC0 OPTION ON EFFI-FLEX

## IDENTIFICATION

PCN Number	0005
PCN Date	2023-02-28
PCN Status	First Notification (Announcement)

## AFFECTED PRODUCT SERIES

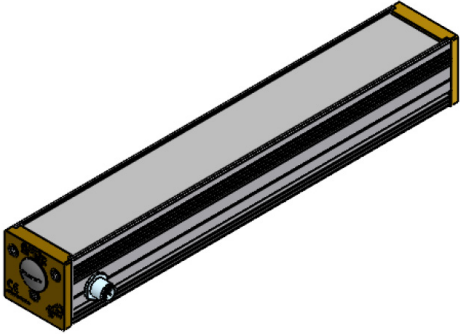
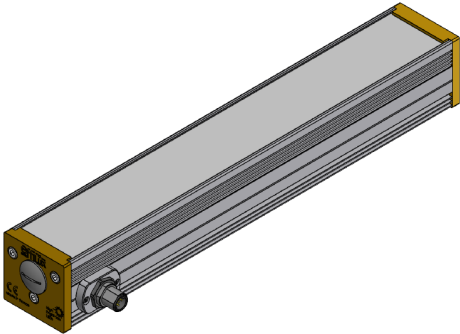
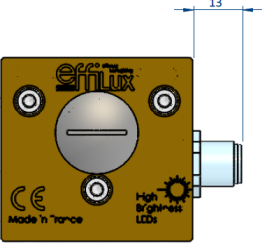
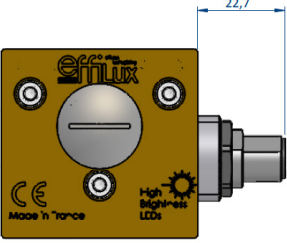
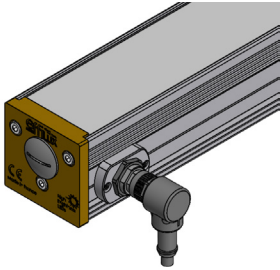
Product Series	EFFI-FLEX & EFFI-FLEX-CPT - EFFI-FLEX-BL & EFFI-FLEX-BL-CPT
Affected Products	EFFI-FLEX with -SC option & EFFI-FLEX-CPT with -SC option EFFI-FLEX-BL with -SC option & EFFI-FLEX-BL-CPT with -SC option
Replacement Products (if applicable)	EFFI-FLEX with -SC0 option & EFFI-FLEX-CPT with -SC0 option EFFI-FLEX-BL with -SC0 option & EFFI-FLEX-BL-CPT with -SC option

## PRODUCT CHANGE NOTIFICATION

PCN Type	<input checked="" type="checkbox"/> Manufacturing change (Major revision) <input type="checkbox"/> Removal of Product Configurations <input type="checkbox"/> Product Status Changes to end-of-life (EOL) <input type="checkbox"/> Security related bug / Major non-conformance to specification <input type="checkbox"/> Other; specify:
Description of change	<p>The -SC option is replaced by the -SC0 option.</p> <p>A support base is added with -SC0 option.</p>
Reason for change	The -SC option did not allow to set the orientation of the connector with accuracy and repeatability.
Expected impact on customers	<p>The mechanical footprint changes.</p> <p>The angled connector orientation is facing downwards by default (but other orientations are possible by 90° steps)</p>

# TRANSITION FROM -SC TO -SC0 OPTION ON EFFI-FLEX

## DETAILS OF CHANGE

CURRENT	AFTER CHANGE
<p data-bbox="408 300 512 322">-SC option</p>  <p data-bbox="124 687 798 763">The male connector is directly screwed on the profile. The male connector can be either 5-pins M12 (A-coded) or 4-pins M12 Power (T-coded) depending on the product power consumption.</p>	<p data-bbox="1106 300 1225 322">-SC0 option</p>  <p data-bbox="818 687 1511 786">The male connector is inserted on the added support base that is screwed on the profile. The male connector can be either 5-pins M12 (A-coded) or 4-pins M12 Power (T-coded) depending on the product power consumption.</p>
 <p data-bbox="124 1093 786 1115">The -SC option does not allow a mastery of the connector orientation.</p>	
	 <p data-bbox="818 1373 1511 1449">The -SC0 option guarantees the orientation of the angled connector facing downwards by default (at the opposite of the window :0°), 3 other connector orientations are possible with 90° step.</p>

## CONTACT INFORMATION

Please refer to the specific documentation (datasheet, user manual and drawing) for complementary information. Contents of this document are based on information available as of March-2023 and may be changed without prior notice.



EFFILUX  
1, Rue de Terre Neuve  
Mini Parc du Verger - Bâtiment E  
91940 Les Ulis - FRANCE

Tel: +33 9 72 38 17 80  
Fax: +33 9 72 11 21 69  
Mail: sales@effilux.fr

Copyright 2022 Effilux - All rights Reserved