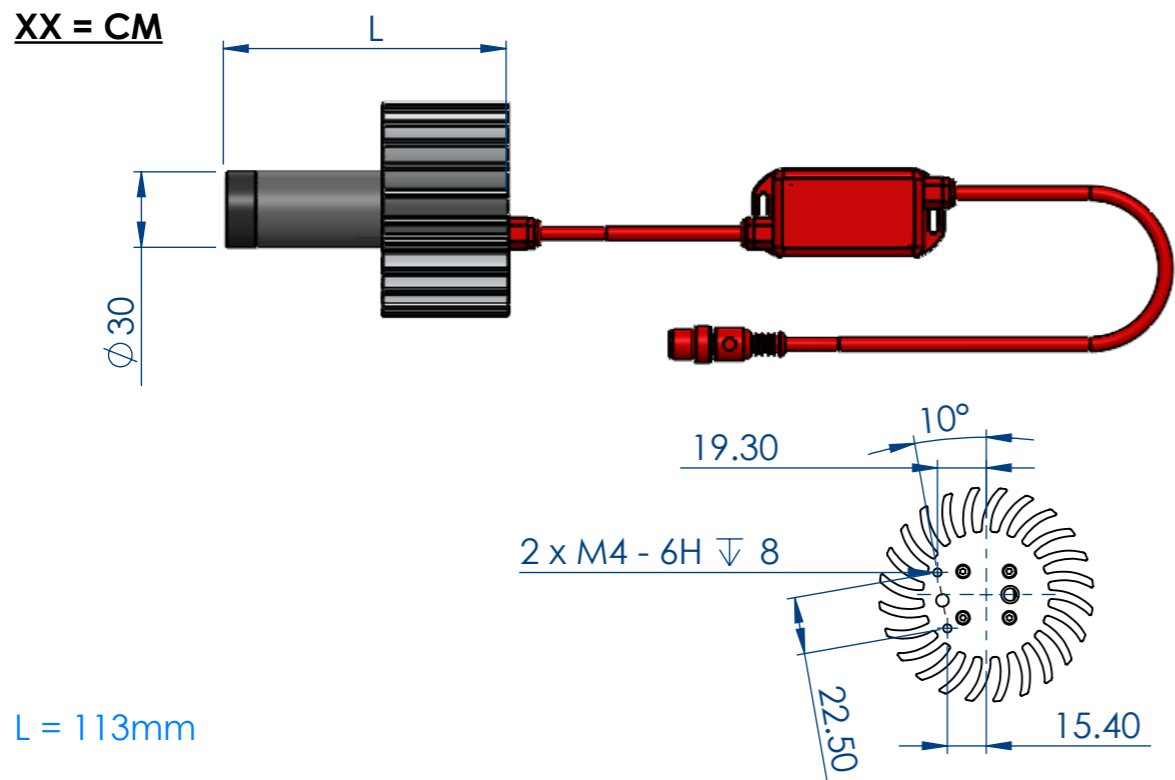


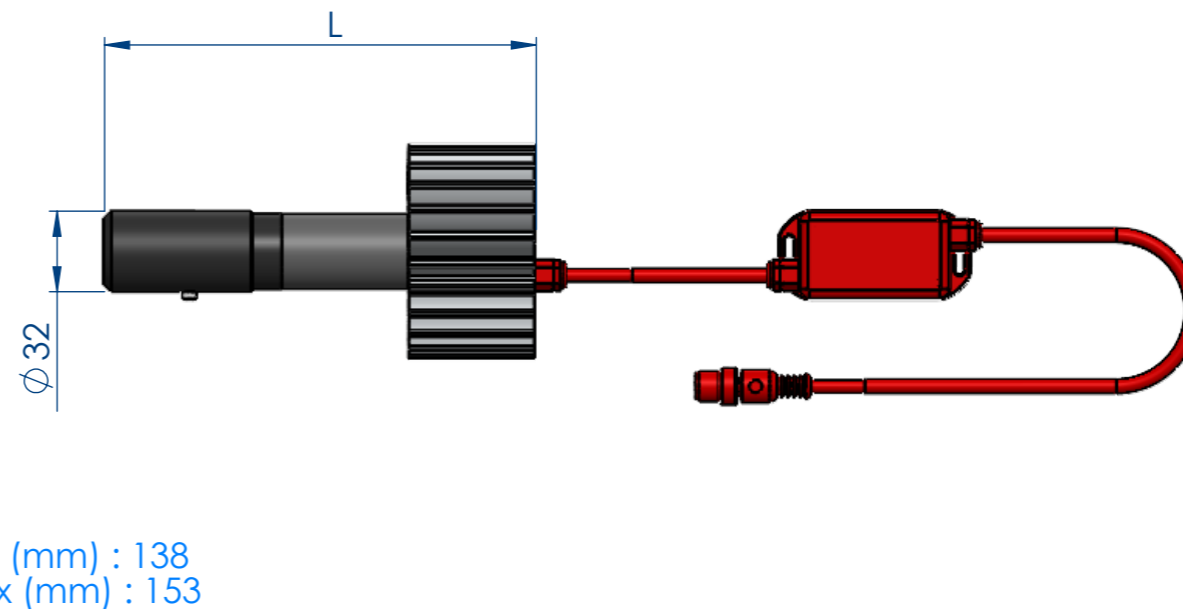
THIS DOCUMENT AND THE INFORMATION IT CONTAINS ARE PROPERTY OF EFFILUX AND CONFIDENTIAL. THEY SHALL NOT BE REPRODUCED NOR DISCLOSED TO ANY PERSON EXCEPT TO THOSE HAVING A NEED TO KNOW THEM WITHOUT PRIOR WRITTEN CONSENT OF EFFILUX

CE DOCUMENT ET LES INFORMATIONS QU'IL CONTIENT SONT CONFIDENTIELS ET SONT LA PROPRIETE EXCLUSIVE DE EFFILUX. ILS NE DOIVENT ETRE COMMUNIQUEES QU'aux PERSONNES AYANT A EN CONNAITRE ET NE PEUVENT ETRE REPRODUITS NI DIVULGUES A TOUTE AUTRE PERSONNE SANS AUTORISATION PREALABLE ECRITE PAR EFFILUX

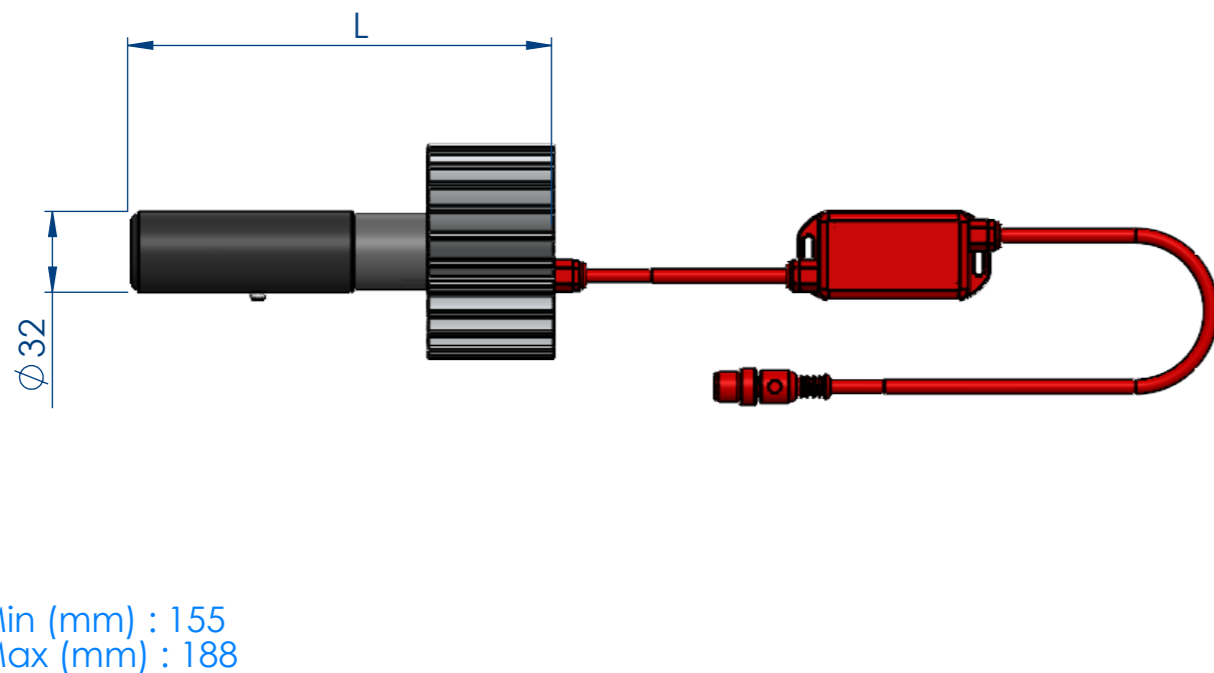
XX = CM



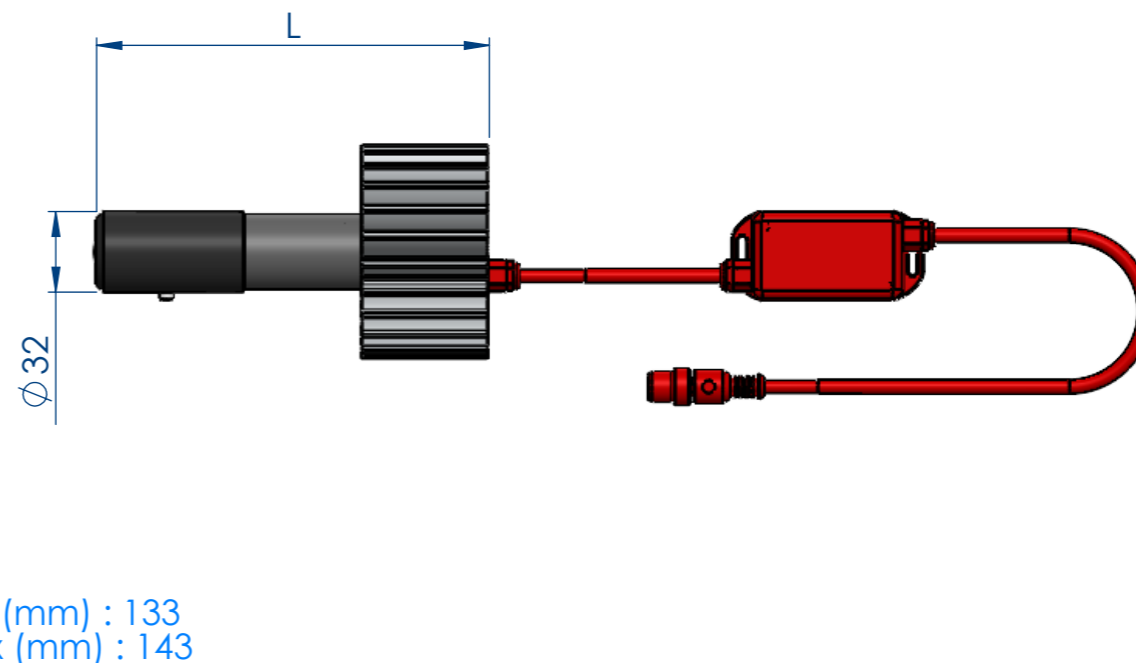
XX = MF



XX = FF

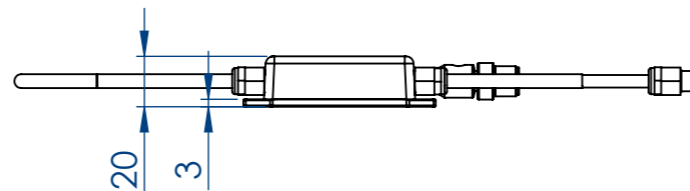
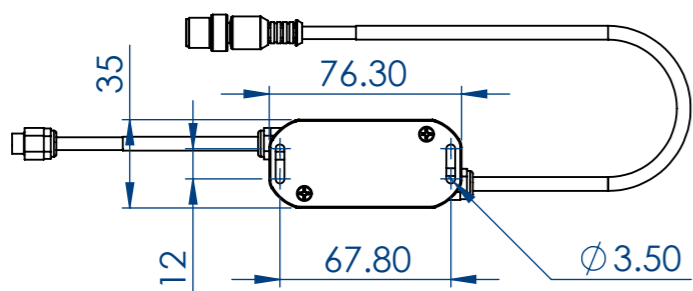


XX = NF



Red components correspond to the M12 configuration (with LED driver). For the M8 configuration (without LED driver) don't take this into account

DES/ DRA.	P.GARIN	17/06/2024
APPROVED		17/06/2024



Reference EFFI-SHARP-PWR-XX-ZZZ-M		IP 5X	1 Rue de Terre Neuve Mini Parc du Verger Bâtiment E 91940 Les Ulis, France
Designation EFFI SHARP POWER		Mail: sales@effilux.fr Tel : +33 9 72 52 70 03 www.effilux.com	
Rev /	Unit : mm	General Tolerances	
Scale 1:3	Size A3	Page 1/1	X ≤ 300 TOL ±0,2 300 < X < 800 TOL ±0,5 X ≥ 800 TOL ± 1
			Effilux Led Lighting