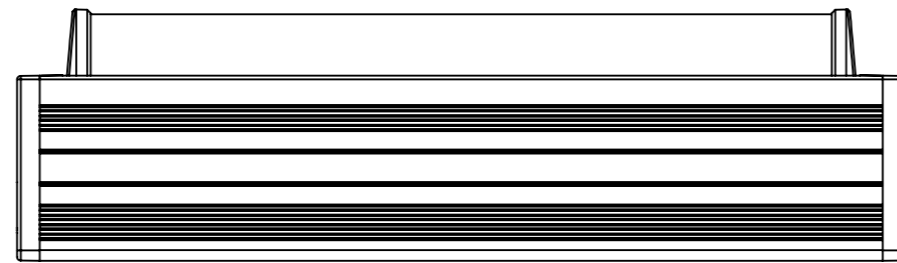
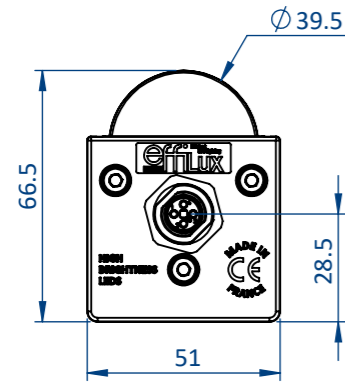
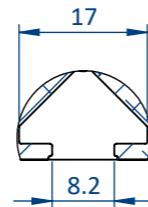
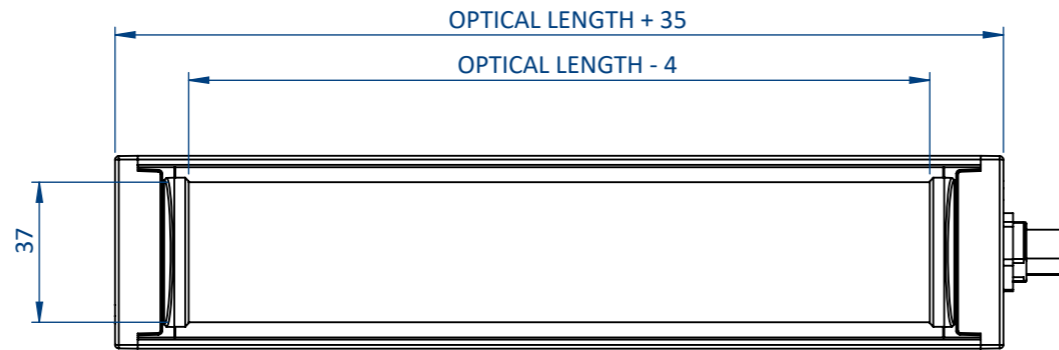
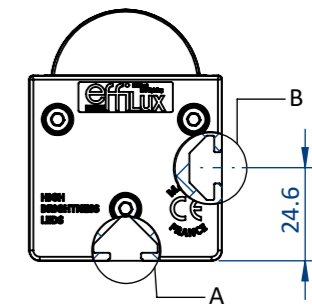


THIS DOCUMENT AND THE INFORMATION IT CONTAINS ARE PROPERTY OF EFFILUX AND CONFIDENTIAL. THEY SHALL NOT BE REPRODUCED NOR DISCLOSED TO ANY PERSON EXCEPT TO THOSE HAVING A NEED TO KNOW THEM WITHOUT PRIOR WRITTEN CONSENT OF EFFILUX

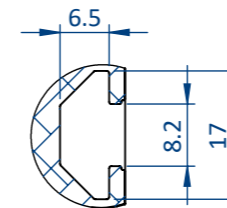
CE DOCUMENT ET LES INFORMATIONS QU'IL CONTIENT SONT CONFIDENTIELS ET SONT LA PROPRIETE EXCLUSIVE DE EFFILUX. ILS NE DOIVENT ETRE COMMUNIQUEES QU' AUX PERSONNES AYANT A EN CONNAITRE ET NE PEUVENT ETRE REPRODUITS NI DIVULGUES A TOUTE AUTRE PERSONNE SANS AUTORISATION PREALABLE ECRITE PAR EFFILUX



M12-5 PINS OR M12P-4 PINS DEPENDING ON POWER CONSUMPTION REFER TO THE DATASHEET

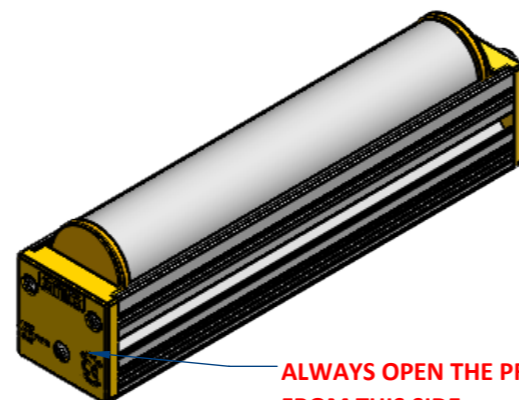


DETAIL A
SCALE 1 : 1
MOUNTING: T-NUT 8MM SLOT, M6



DETAIL B
SCALE 1 : 1
MOUNTING: T-NUT 8MM SLOT, M6

| OPTICAL LENGTH (XXXX) | PRODUCT LENGTH | WEIGHT (KG) |
|-----------------------|----------------|-------------|
| 60 | 95 | 0,3 |
| 100 | 135 | 0,5 |
| 200 | 235 | 0,8 |
| 300 | 335 | 1,2 |
| 400 | 435 | 1,5 |
| 500 | 535 | 1,9 |
| 600 | 635 | 2,2 |
| ... | ... | ... |
| 1600 | 1635 | 5,7 |
| 1700 | 1735 | 6,0 |



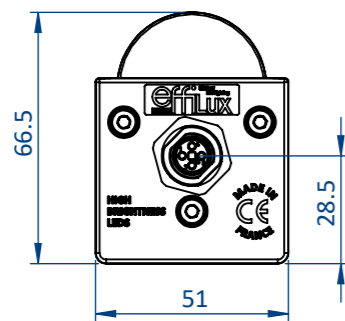
ALWAYS OPEN THE PRODUCT FROM THIS SIDE

PLEASE REFER TO THE SPECIFIC DOCUMENTATION FOR WIRING LAYOUT

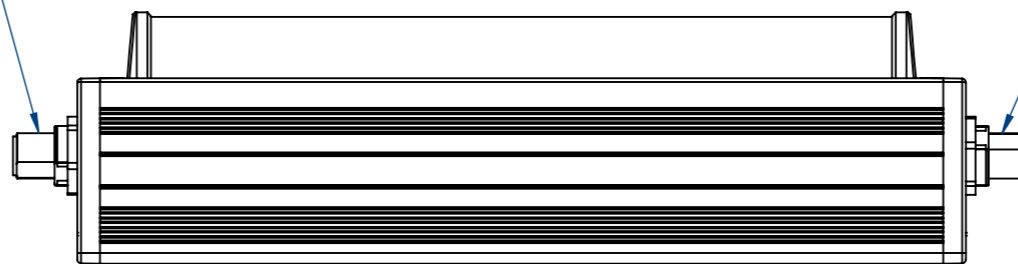
| | | | | |
|--|--------------------|--|---|--|
| Reference EFFI-FLEX2 CYL | | IP 5X | 1 Rue de Terre Neuve Mini Parc du Verger Bâtiment E 91940 Les Ulis, France | |
| Designation EFFI-FLEX2-XXXX-ZZZ-TR-P1-LS-CYL | | Mail: sales@effilux.fr Tel : +33 9 72 52 70 03 www.effilux.com | | |
| Revision / | Date 25/04/2024 | Unit : mm | General Tolerances | |
| Scale 1:2 | Size A3 | Page 1/1 | X ≤ 300 TOL ±0,2 300 < X < 800 TOL ±0,5 X ≥ 800 TOL ± 1 | |

THIS DOCUMENT AND THE INFORMATION IT CONTAINS ARE PROPERTY OF EFFILUX AND CONFIDENTIAL. THEY SHALL NOT BE REPRODUCED NOR DISCLOSED TO ANY PERSON EXCEPT TO THOSE HAVING A NEED TO KNOW THEM WITHOUT PRIOR WRITTEN CONSENT OF EFFILUX

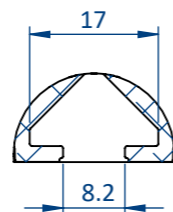
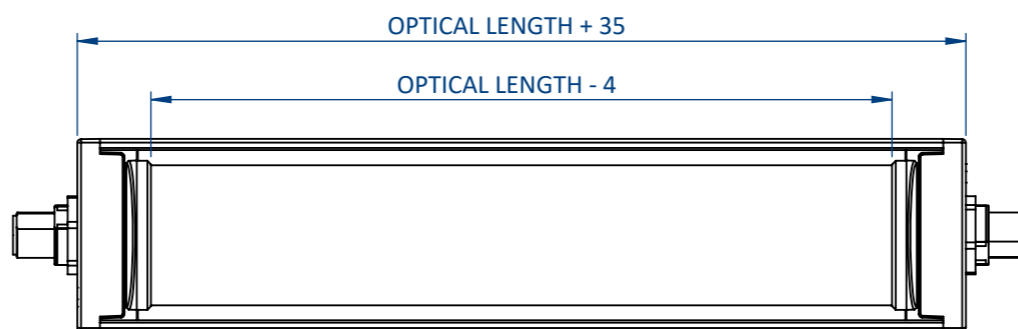
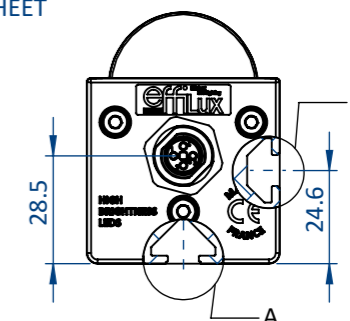
CE DOCUMENT ET LES INFORMATIONS QUI LE CONTIENT SONT CONFIDENTIELS ET SONT LA PROPRIETE EXCLUSIVE DE EFFILUX. ILS NE DOIVENT ETRE COMMUNIQUEES QU' AUX PERSONNES AYANT A EN CONNAITRE ET NE PEUVENT ETRE REPRODUITS NI DIVULGUES A TOUTE AUTRE PERSONNE SANS AUTORISATION PREALABLE ECRITE PAR EFFILUX



M12P-4 PINS
REFER TO THE DATASHEET

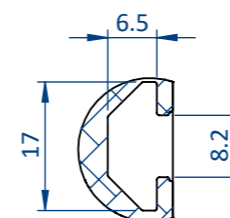


M12P-4 PINS
REFER TO THE DATASHEET



DETAIL A
SCALE 1 : 1

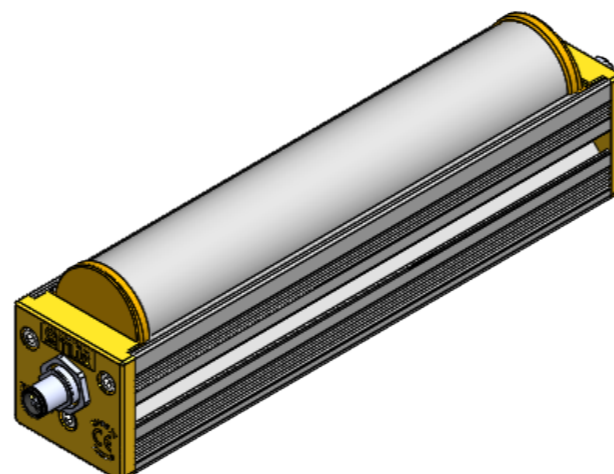
MOUNTING: T-NUT 8MM SLOT, M6



DETAIL B
SCALE 1 : 1

MOUNTING: T-NUT 8MM SLOT, M6

| OPTICAL LENGTH (XXXX) | PRODUCT LENGTH | WEIGHT (KG) |
|-----------------------|----------------|-------------|
| 1700 | 1735 | 6.2 |
| 1800 | 1835 | 6.5 |
| 1900 | 1935 | 6.9 |
| 2000 | 2035 | 7.3 |
| 2100 | 2135 | 7.6 |
| ... | ... | ... |
| 2800 | 2835 | 10.1 |
| 2900 | 2935 | 10.5 |



| | | | |
|--|--------------------|--|---|
| Reference EFFI-FLEX2 CYL-2M12P | | IP 5X | 1 Rue de Terre Neuve Mini Parc du Verger Bâtiment E 91940 Les Ulis, France |
| Designation EFFI-FLEX2-XXXX-ZZZ-TR-P1-LS-CYL-2M12P | | Mail: sales@effilux.fr Tel : +33 9 72 52 70 03 www.effilux.com | |
| Revision / | Date 22/04/2024 | Unit : mm | General Tolerances |
| Scale 1:2 | Size A3 | Page 1/1 | X ≤ 300 TOL ±0,2 300 < X < 800 TOL ±0,5 X ≥ 800 TOL ± 1 |

