



Flexibility

**Up to
3 meters**

**Electronical
options**

**Ajustable
beam angle**

Easy-to-use

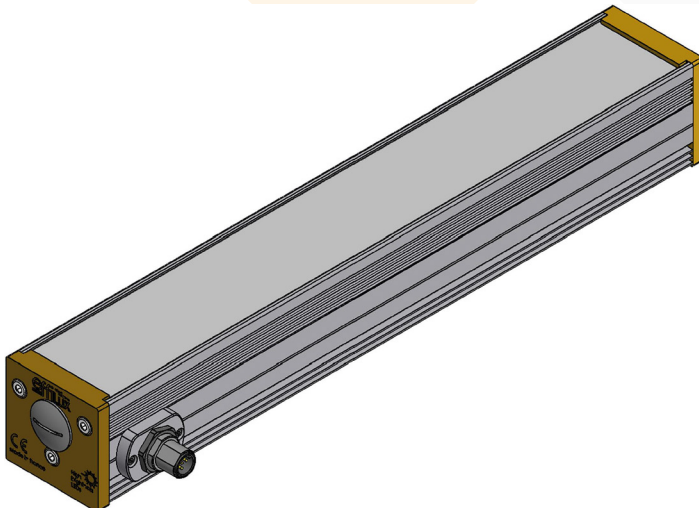
Built-in driver



effiFLEX
Connector options

SIDE CONNECTOR OPTIONS

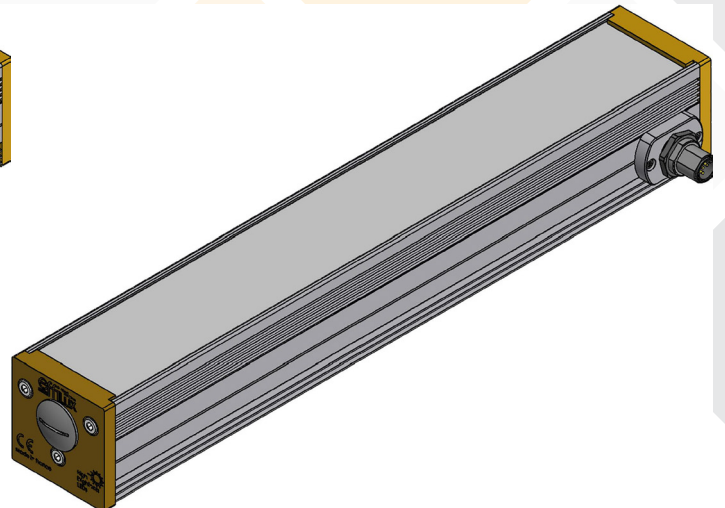
SIDE CONNECTOR - M12 & M12P



Standard

EFFI-FLEX-XXXX-ZZZ-WW-PP-SCXXX
 EFFI-FLEX-XXXX-ZZZ-WW-PP-SCXXX-1M12P

(M12 - 5 pins or M12P - 4 pins)
 XXX: Angle connector orientation

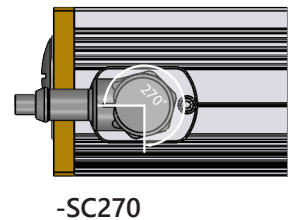
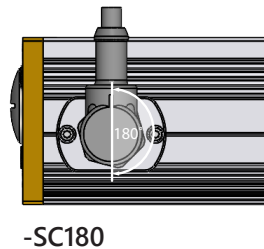
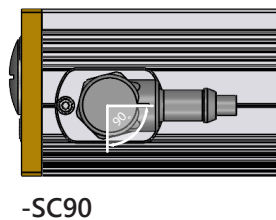
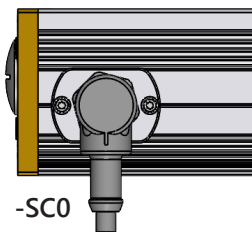


Opposite

EFFI-FLEX-XXXX-ZZZ-WW-PP-SCXXX-O
 EFFI-FLEX-XXXX-ZZZ-WW-PP-SCXXX-O-1M12P

(M12 - 5 pins or M12P - 4 pins)
 -O: For the Opposite size
 XXX: Angle connector orientation

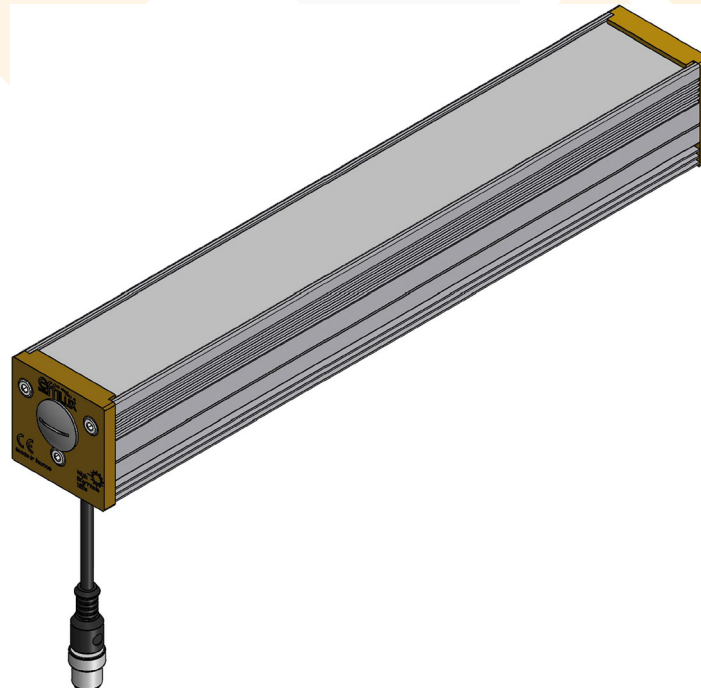
ANGLED CONNECTOR ORIENTATION XXX - M12 & M12P



-SCXXX: [0 / 90 / 180 / 270]

CABLE OPTIONS

BACK SIDE CABLE - M12



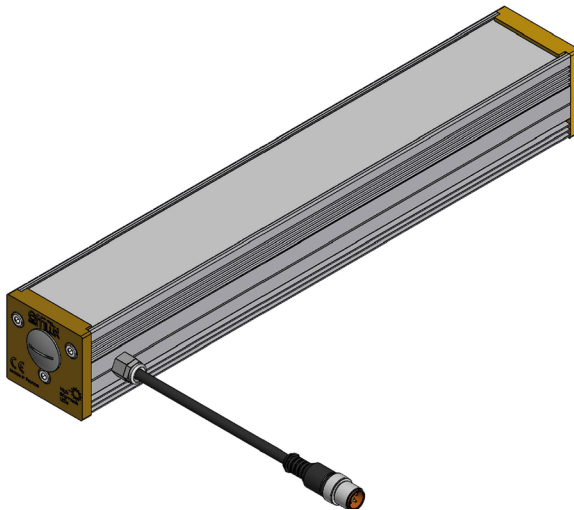
EFFI-FLEX-XXXX-ZZZ-WW-PP-BSC

Cable gland on the back side - Cable length: 500mm +/- 20mm

M12 - 5 pins

Not available with M12P connector. Please check the connector according to the light size.

SIDE CABLE GLAND - M12

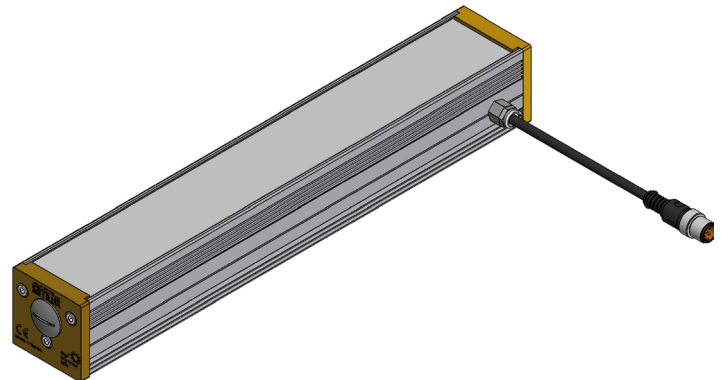


Standard

EFFI-FLEX-XXXX-ZZZ-WW-PP-SCG

Cable gland on the side - Cable length: 500mm +/- 20mm

M12 - 5 pins



Opposite

EFFI-FLEX-XXXX-ZZZ-WW-PP-SCG-O

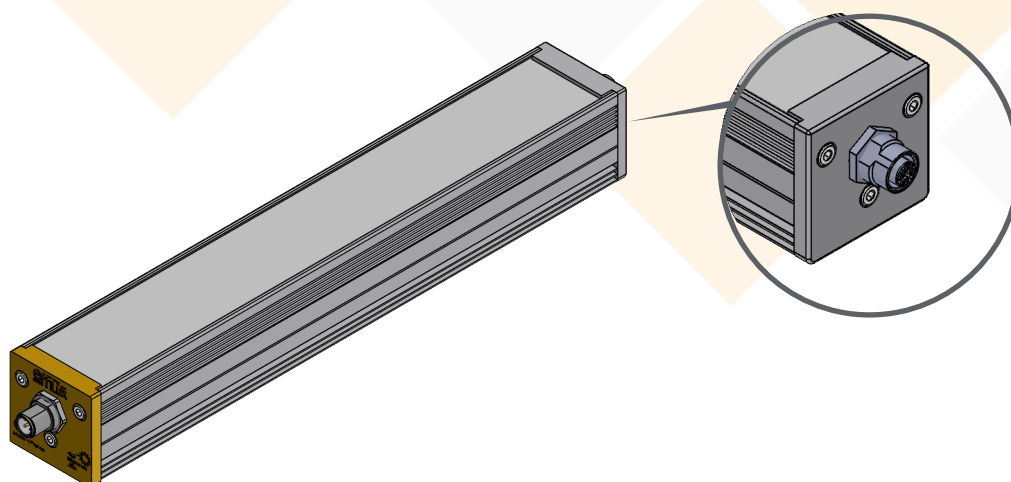
-O: For Opposite side

Cable gland on the side - Cable length: 500mm +/- 20mm

M12 - 5 pins

DAISY CHAIN OPTIONS

CHAIN ON THE OPPOSITE SIDE - M12 & M12P



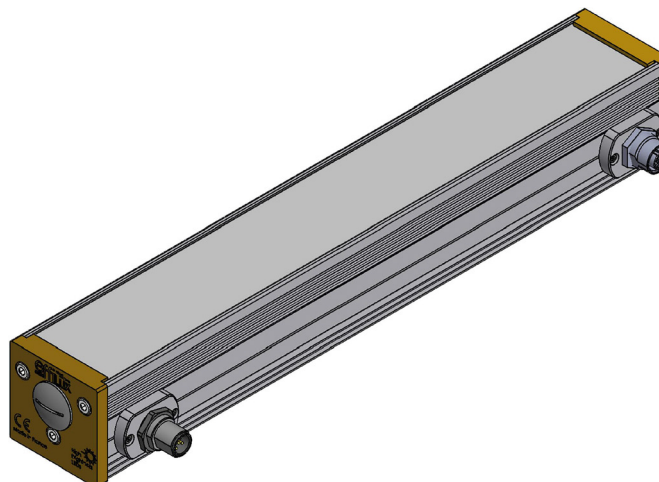
EFFI-FLEX-XXXX-ZZZ-WW-PP-CHAIN

EFFI-FLEX-XXXX-ZZZ-WW-PP-CHAIN-1M12P

One male connector on the standard side (M12 - 5 pins or M12P - 4 pins)

One female connector on the opposite side with Aluminum cap (M12 - 5 pins or M12P - 4 pins)

CHAIN WITH SIDE CONNECTORS - M12 & M12P



EFFI-FLEX-XXXX-ZZZ-WW-PP-CHAIN-SCXXX

EFFI-FLEX-XXXX-ZZZ-WW-PP-CHAIN-SCXXX-1M12P

One male connector on the standard side (M12 - 5 pins or M12P - 4 pins)

One female connector on the opposite side with Aluminum cap (M12 - 5 pins or M12P - 4 pins)

CONTACT INFORMATION

Please refer to the specific documentation (datasheet, user manual and drawing) for complementary information. Contents of this document are based on information available as of December-2022 and may be changed without prior notice.



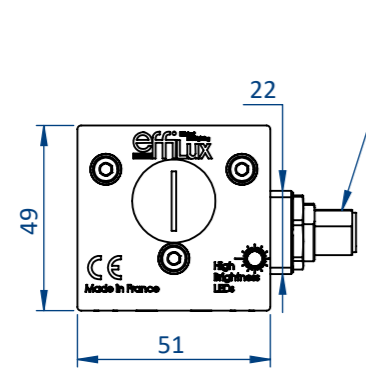
EFFILUX
1, Rue de Terre Neuve
Mini Parc du Verger - Bâtiment E
91940 Les Ulis - FRANCE

Tel: +33 9 72 38 17 80
Fax: +33 9 72 11 21 69
Mail: sales@effilux.fr

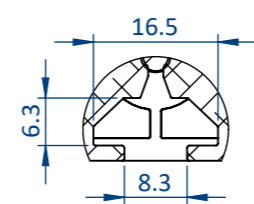
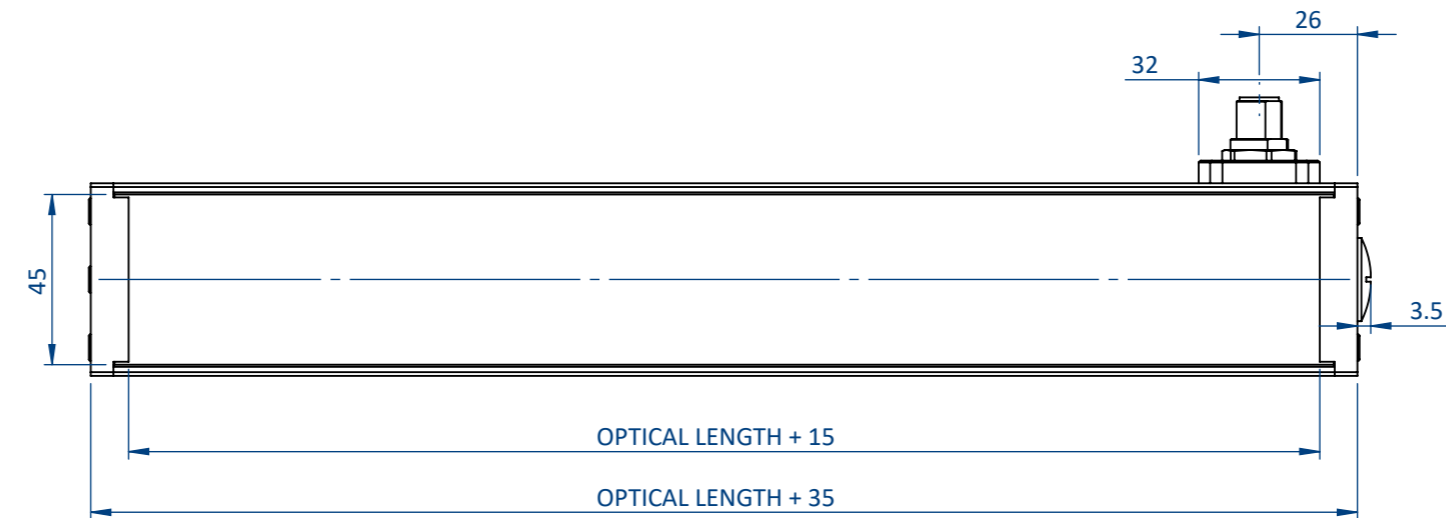
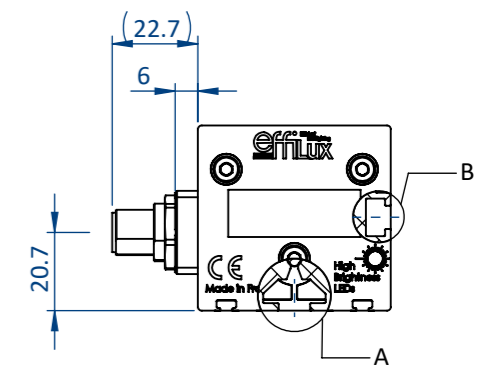
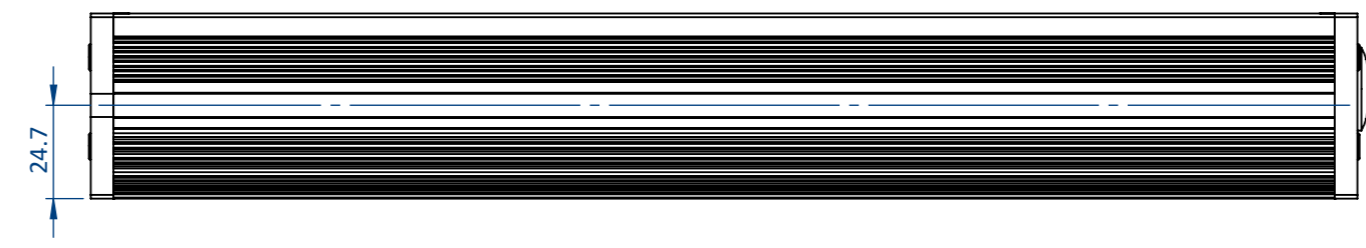
Copyright 2022 Effilux - All rights Reserved

THIS DOCUMENT AND THE INFORMATION IT CONTAINS ARE PROPERTY OF EFFILUX AND CONFIDENTIAL. THEY SHALL NOT BE REPRODUCED NOR DISCLOSED TO ANY PERSON EXCEPT TO THOSE HAVING A NEED TO KNOW THEM WITHOUT PRIOR WRITTEN CONSENT OF EFFILUX

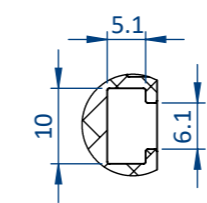
CE DOCUMENT ET LES INFORMATIONS QU'IL CONTIENT SONT CONFIDENTIELS ET SONT LA PROPRIETE EXCLUSIVE DE EFFILUX. ILS NE DOIVENT ETRE COMMUNIQUEES QU' AUX PERSONNES AYANT A EN CONNAITRE ET NE PEUVENT ETRE REPRODUITS NI DIVULGUES A TOUTE AUTRE PERSONNE SANS AUTORISATION PREALABLE ECRITE PAR EFFILUX



M12 OR M12P DEPENDING ON POWER CONSUMPTION.
REFER TO THE DATASHEET

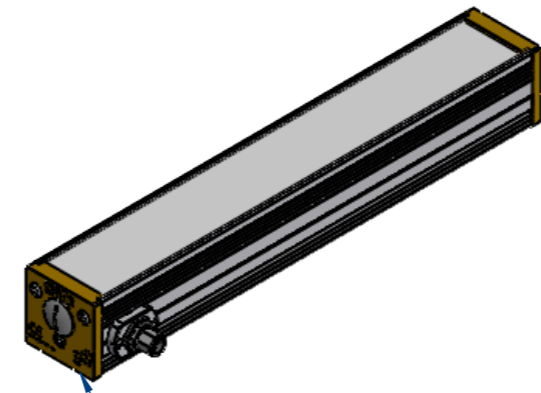


DÉTAIL A
ECHELLE 1 : 1
MOUNTING: T-NUT 8MM SLOT, M6



DÉTAIL B
ECHELLE 1 : 1
MOUNTING: NUT, M6

NUMBER OF LED-XXX (STANDARD VERSION)	OPTICAL LENGTH	PRODUCT LENGTH	WEIGHT (KG)
1 LED	20	55	0,1
3 LED	60	95	0.3
5 LED	100	135	0,4
10 LED	200	235	0,7
15 LED	300	335	0,9
20 LED	400	435	1.2
25 LED	500	535	1.5
...
140 LED	2800	2835	7.9
145 LED	2900	2935	8.2



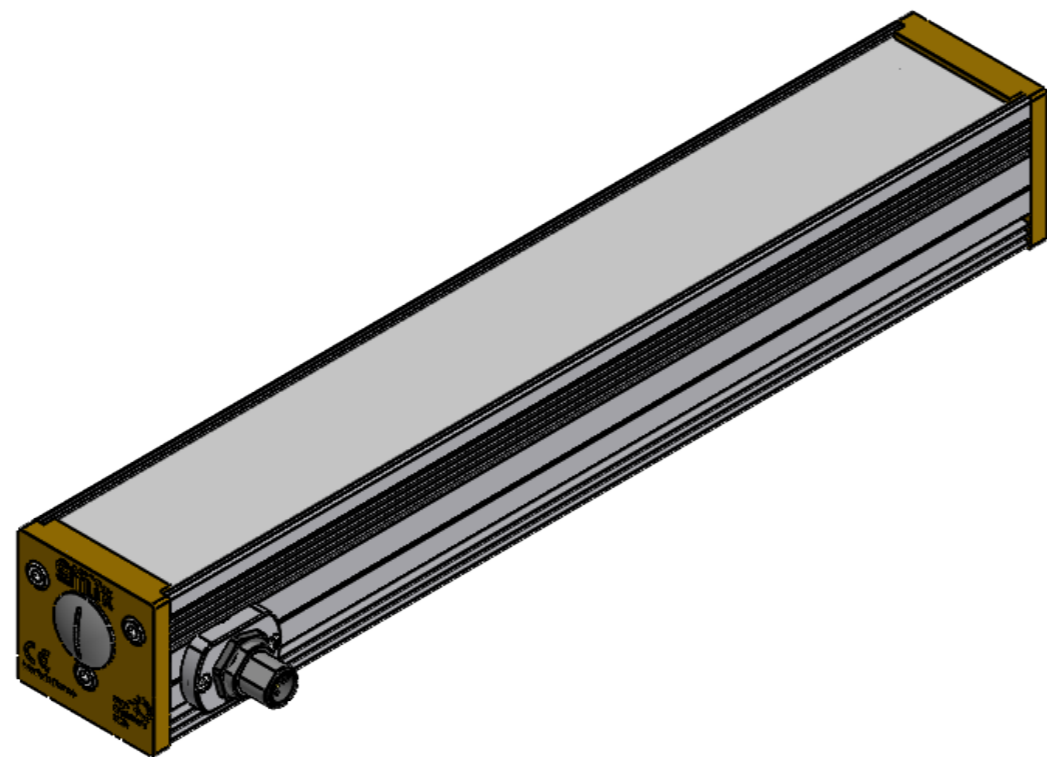
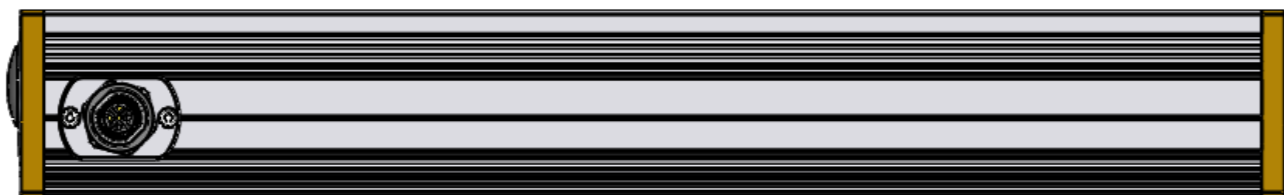
ALWAYS OPEN THE PRODUCT FROM THIS SIDE

PLEASE REFER TO THE SPECIFIC DOCUMENTATION FOR WIRING LAYOUT

Reference OPTION FLEX-SCXXX		IP 5X	1 Rue de Terre Neuve Mini Parc du Verger Bâtiment E 91940 Les Ulis, France	
Designation EFFI-FLEX-XXX-ZZZ-WW-PP-SCXXX		Mail: sales@effilux.fr Tel : +33 9 72 52 70 03 www.effilux.com		
Revision /	Date 22/04/2024	Unit : mm	General Tolerances	
Scale 1:2	Size A3	Page 1/2	X ≤ 300 TOL ±0,2 300 < X < 800 TOL ±0,5 X ≥ 800 TOL ± 1	

THIS DOCUMENT AND THE INFORMATION IT CONTAINS ARE PROPERTY OF EFFILUX AND CONFIDENTIAL. THEY SHALL NOT BE REPRODUCED NOR DISCLOSED TO ANY PERSON EXCEPT TO THOSE HAVING A NEED TO KNOW THEM WITHOUT PRIOR WRITTEN CONSENT OF EFFILUX

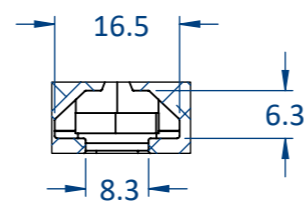
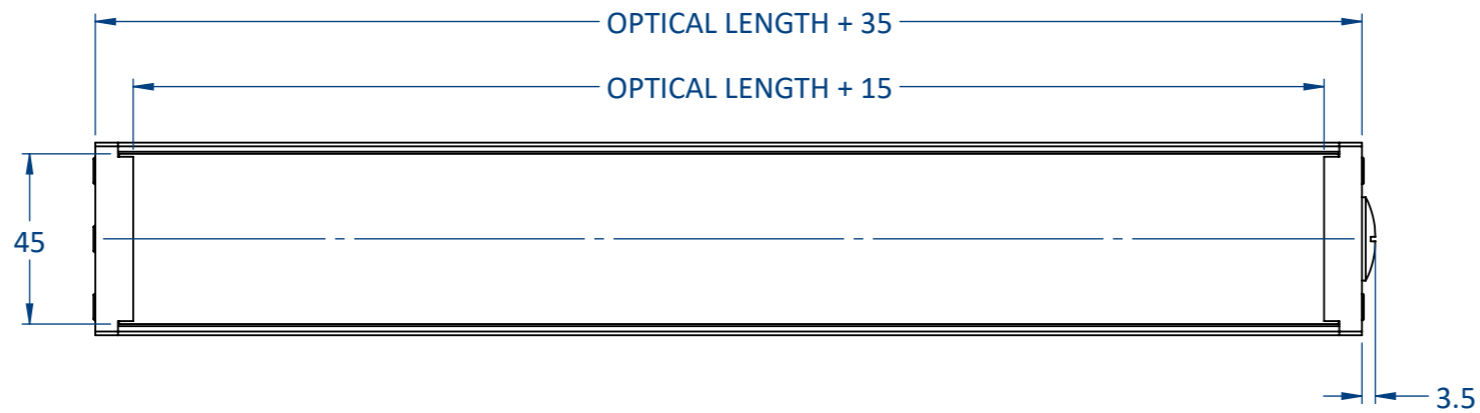
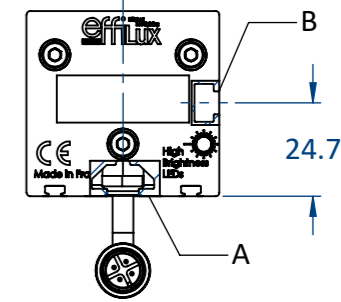
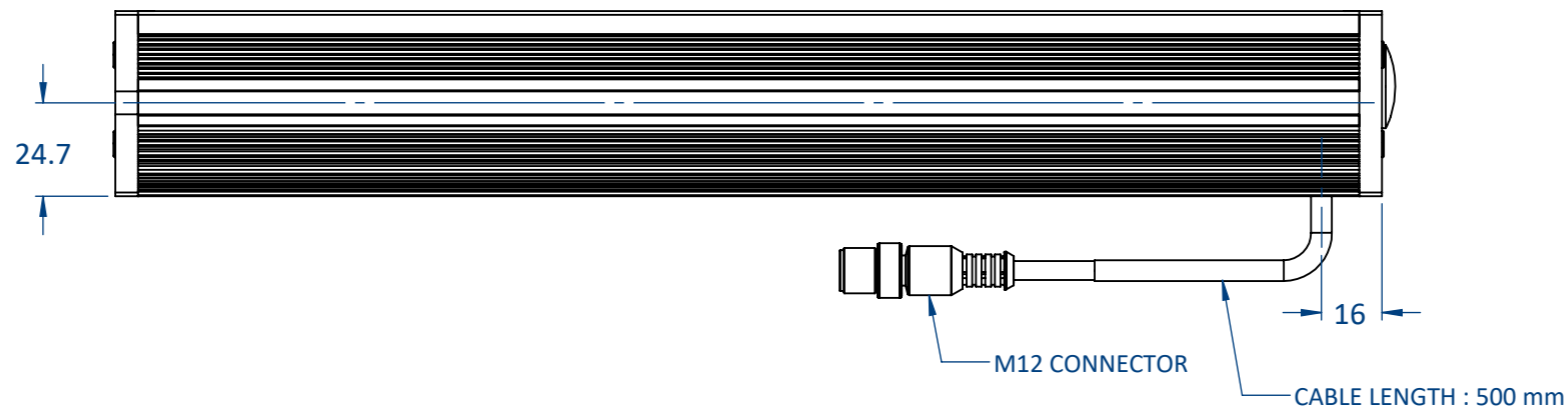
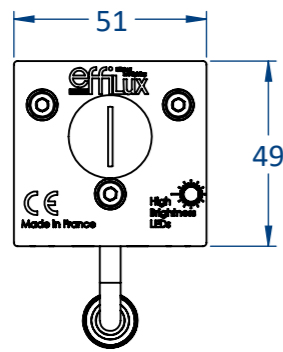
CE DOCUMENT ET LES INFORMATIONS QU'IL CONTIENT SONT CONFIDENTIELS ET SONT LA PROPRIETE EXCLUSIVE DE EFFILUX. ILS NE DOIVENT ETRE COMMUNIQUEES QU' AUX PERSONNES AYANT A EN CONNAITRE ET NE PEUVENT ETRE REPRODUITS NI DIVULGUES A TOUTE AUTRE PERSONNE SANS AUTORISATION PREALABLE ECRITE PAR EFFILUX



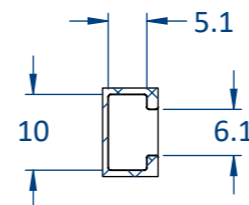
Reference OPTION FLEX-SCXXX		IP 5X	1 Rue de Terre Neuve Mini Parc du Verger Bâtiment E 91940 Les Ulis, France	
Designation EFFI-FLEX-XXX-ZZZ-WW-PP-SCXXX			Mail: sales@effilux.fr Tel : +33 9 72 52 70 03 www.effilux.com	
Revision /	Date 22/04/2024	Unit : mm	General Tolerances	
Scale 1:2	Size A3	Page 2/2	X ≤ 300 TOL ±0,2 300 < X < 800 TOL ±0,5 X ≥ 800 TOL ± 1	

THIS DOCUMENT AND THE INFORMATION IT CONTAINS ARE PROPERTY OF EFFILUX AND CONFIDENTIAL. THEY SHALL NOT BE REPRODUCED NOR DISCLOSED TO ANY PERSON EXCEPT TO THOSE HAVING A NEED TO KNOW THEM WITHOUT PRIOR WRITTEN CONSENT OF EFFILUX

CE DOCUMENT ET LES INFORMATIONS QU'IL CONTIENT SONT CONFIDENTIELS ET SONT LA PROPRIETE EXCLUSIVE DE EFFILUX. ILS NE DOIVENT ETRE COMMUNIQUEES QU' AUX PERSONNES AYANT A EN CONNAITRE ET NE PEUVENT ETRE REPRODUITS NI DIVULGUES A TOUTE AUTRE PERSONNE SANS AUTORISATION PREALABLE ECRITE PAR EFFILUX

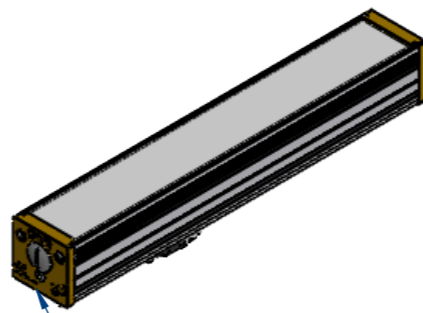


DETAIL A
SCALE 1 : 1
MOUNTING : T-NUT 8MM SLOT, M6



DETAIL B
SCALE 1 : 1
MOUNTING : NUT M6

OPTICAL LENGTH	PRODUCT LENGTH	WEIGHT (KG)
20	55	0,1
60	95	0,3
100	135	0,4
200	235	0,7
300	335	0,9
400	435	1,2
500	535	1,5
...
700	735	2,0
800	835	2,3



ALWAYS OPEN THE PRODUCT FROM THIS SIDE

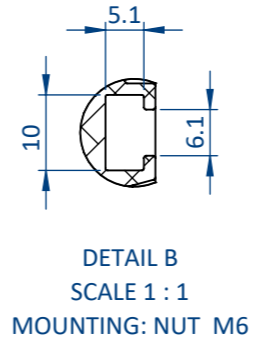
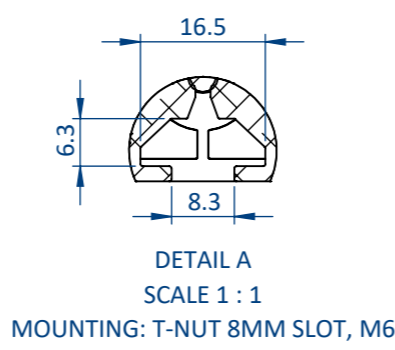
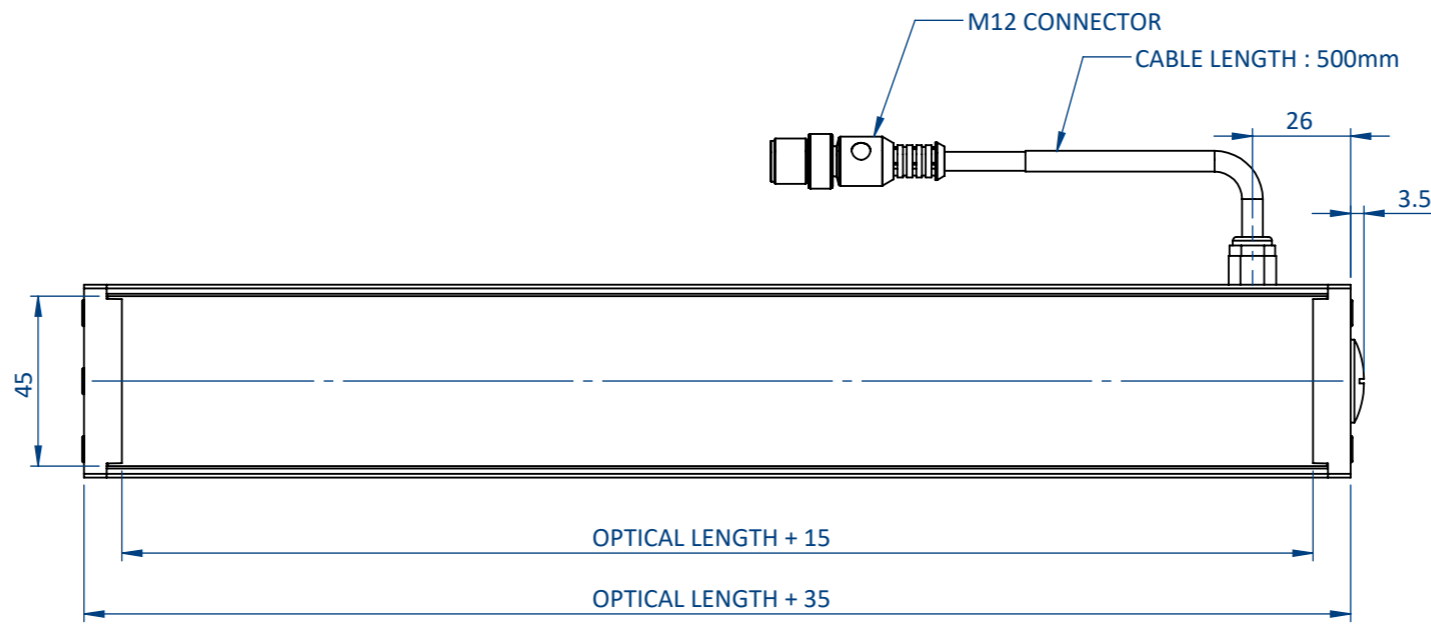
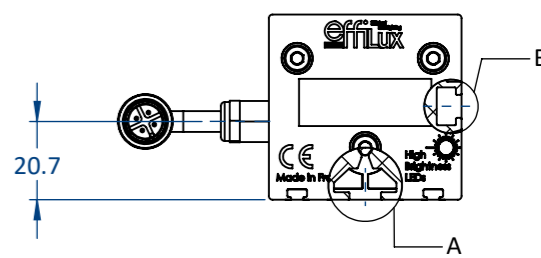
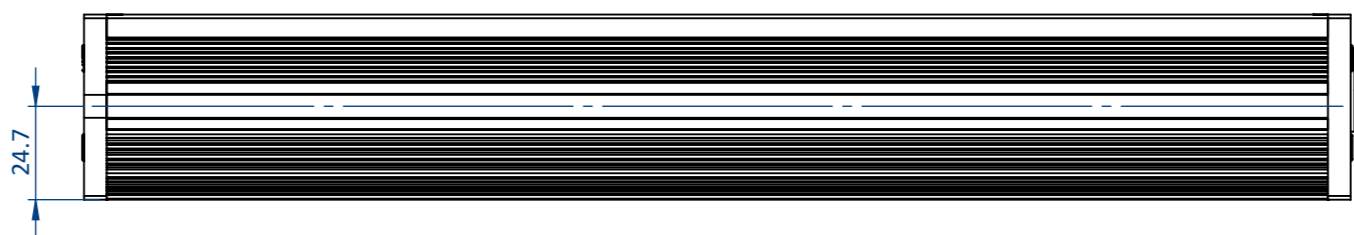
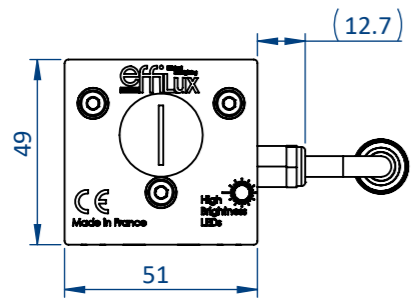
PLEASE REFER TO THE SPECIFIC DOCUMENTATION FOR WIRING LAYOUT

Reference OPTION FLEX-BSC		IP 5X	1 Rue de Terre Neuve Mini Parc du Verger Bâtiment E 91940 Les Ulis, France	
Designation EFFI-FLEX-XXX-ZZZ-WW-PP-BSC		Mail: sales@effilux.fr Tel : +33 9 72 52 70 03 www.effilux.com		
Revision /	Date 29/04/2024	Unit : mm	General Tolerances	
Scale 1:2	Size A3	Page 1/1	X ≤ 300 300 < X < 800 X ≥ 800	TOL ±0,2 TOL ±0,5 TOL ± 1

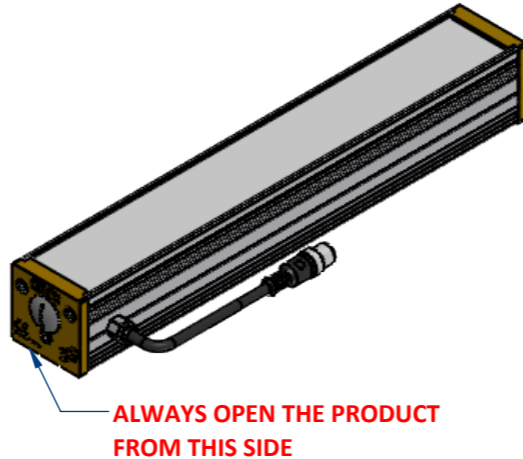


THIS DOCUMENT AND THE INFORMATION IT CONTAINS ARE PROPERTY OF EFFILUX AND CONFIDENTIAL. THEY SHALL NOT BE REPRODUCED NOR DISCLOSED TO ANY PERSON EXCEPT TO THOSE HAVING A NEED TO KNOW THEM WITHOUT PRIOR WRITTEN CONSENT OF EFFILUX

CE DOCUMENT ET LES INFORMATIONS QU'IL CONTIENT SONT CONFIDENTIELS ET SONT LA PROPRIETE EXCLUSIVE DE EFFILUX. ILS NE DOIVENT ETRE COMMUNIQUEES QU' AUX PERSONNES AYANT A EN CONNAITRE ET NE PEUVENT ETRE REPRODUITS NI DIVULGUES A TOUTE AUTRE PERSONNE SANS AUTORISATION PREALABLE ECRITE PAR EFFILUX



OPTICAL LENGTH	PRODUCT LENGTH	WEIGHT (KG)
20	55	0,1
60	95	0,3
100	135	0,4
200	235	0,7
300	335	0,9
400	435	1,2
500	535	1,5
...
700	735	2,0
800	835	2,3

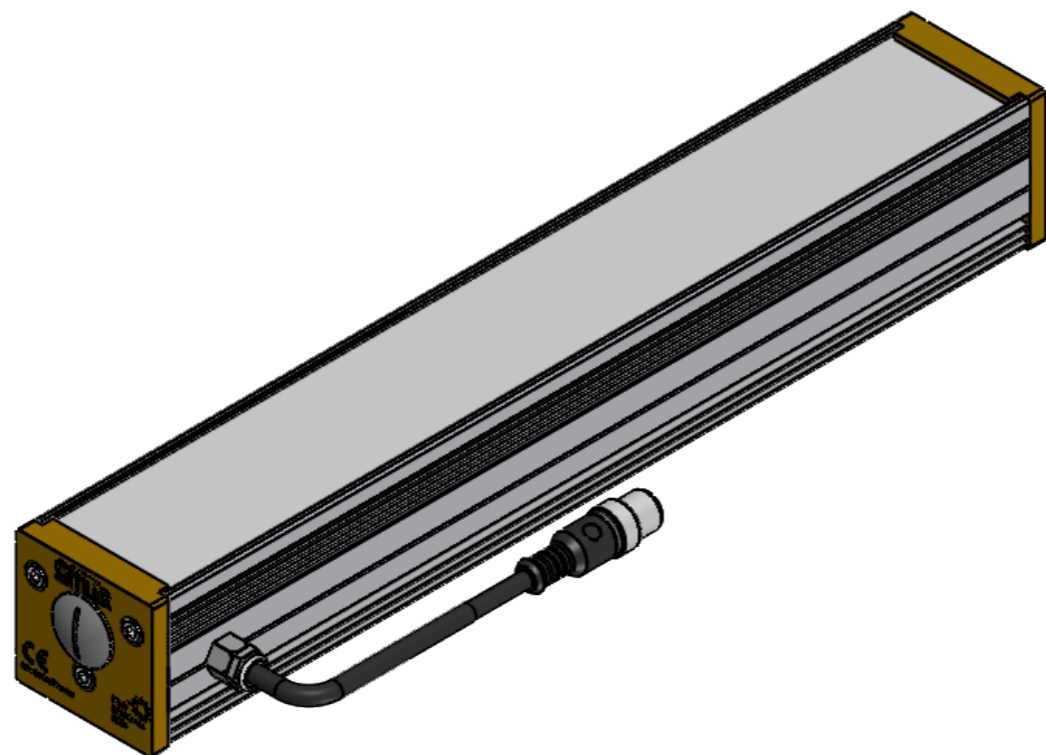
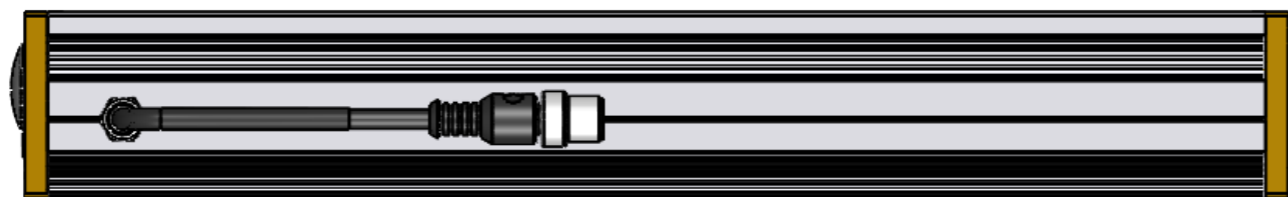


PLEASE REFER TO THE SPECIFIC DOCUMENTATION FOR WIRING LAYOUT

Reference OPTION FLEX-SCG		IP 5X	1 Rue de Terre Neuve Mini Parc du Verger Bâtiment E 91940 Les Ulis, France	
Designation EFFI-FLEX-XXX-ZZZ-WW-PP-SCG		Mail: sales@effilux.fr Tel : +33 9 72 52 70 03 www.effilux.com		
Revision /	Date 29/04/2024	Unit : mm	General Tolerances	
Scale 1:2	Size A3	Page 1/2	X ≤ 300 TOL ±0,2 300 < X < 800 TOL ±0,5 X ≥ 800 TOL ± 1	

THIS DOCUMENT AND THE INFORMATION IT CONTAINS ARE PROPERTY OF EFFILUX AND CONFIDENTIAL. THEY SHALL NOT BE REPRODUCED NOR DISCLOSED TO ANY PERSON EXCEPT TO THOSE HAVING A NEED TO KNOW THEM WITHOUT PRIOR WRITTEN CONSENT OF EFFILUX

CE DOCUMENT ET LES INFORMATIONS QU'IL CONTIENT SONT CONFIDENTIELS ET SONT LA PROPRIETE EXCLUSIVE DE EFFILUX. ILS NE DOIVENT ETRE COMMUNIQUEES QU' AUX PERSONNES AYANT A EN CONNAITRE ET NE PEUVENT ETRE REPRODUITS NI DIVULGUES A TOUTE AUTRE PERSONNE SANS AUTORISATION PREALABLE ECRITE PAR EFFILUX



Reference		IP	1 Rue de Terre Neuve Mini Parc du Verger Bâtiment E 91940 Les Ulis, France							
OPTION FLEX-SCG		5X								
Designation			Mail: sales@effilux.fr Tel : +33 9 72 52 70 03 www.effilux.com							
EFFI-FLEX-XXX-ZZZ-WW-PP-SCG										
Revision /	Date 29/04/2024	Unit : mm	General Tolerances							
Scale 1:2	Size A3	Page 2/2	<table border="0"> <tr> <td>X ≤ 300</td> <td>TOL ±0,2</td> </tr> <tr> <td>300 < X < 800</td> <td>TOL ±0,5</td> </tr> <tr> <td>X ≥ 800</td> <td>TOL ± 1</td> </tr> </table>		X ≤ 300	TOL ±0,2	300 < X < 800	TOL ±0,5	X ≥ 800	TOL ± 1
X ≤ 300	TOL ±0,2									
300 < X < 800	TOL ±0,5									
X ≥ 800	TOL ± 1									
			