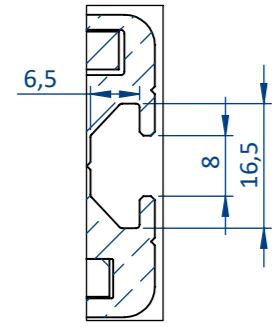
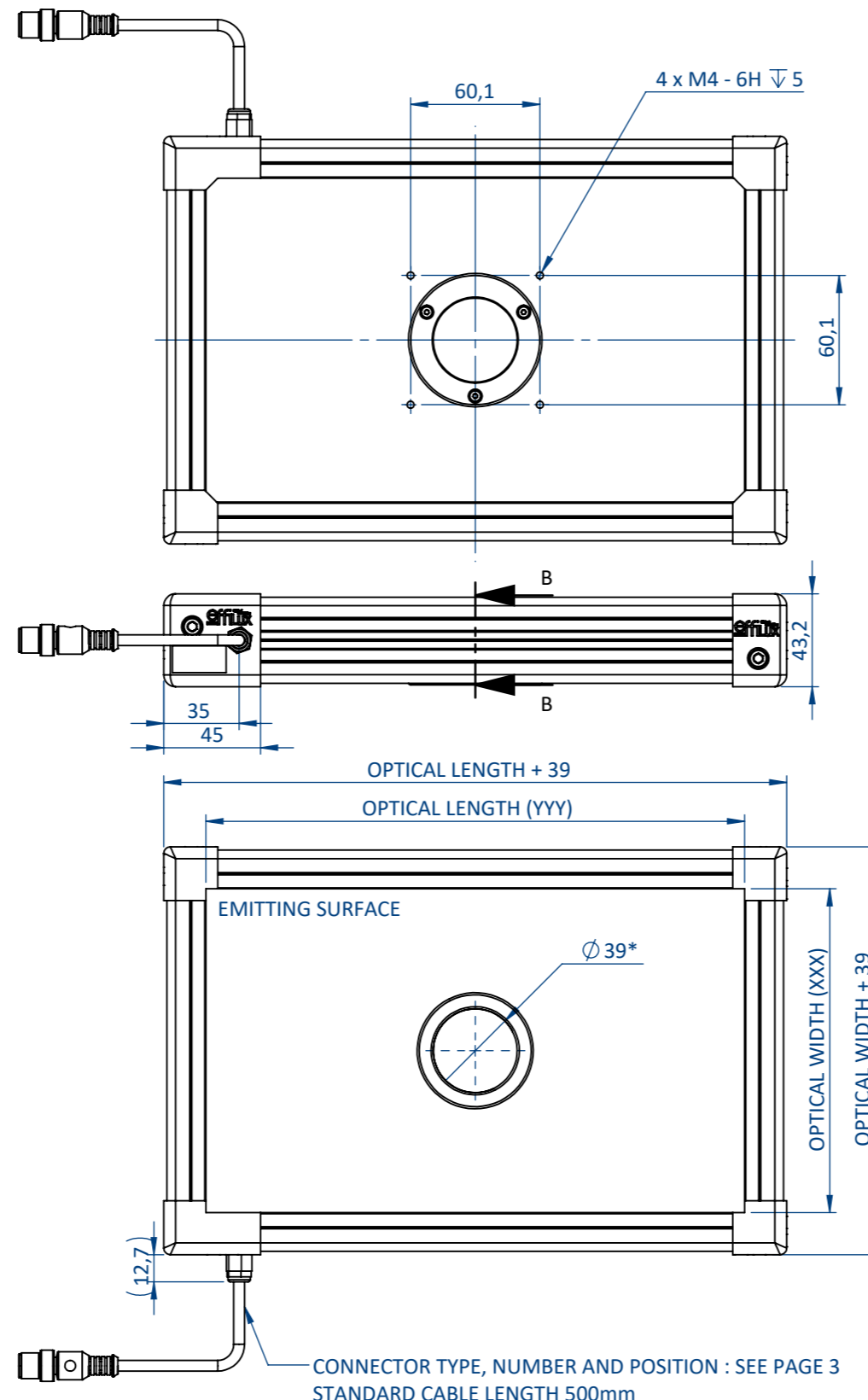


THIS DOCUMENT AND THE INFORMATION IT CONTAINS ARE PROPERTY OF EFFILUX AND CONFIDENTIAL. THEY SHALL NOT BE REPRODUCED NOR DISCLOSED TO ANY PERSON EXCEPT TO THOSE HAVING A NEED TO KNOW THEM WITHOUT PRIOR WRITTEN CONSENT OF EFFILUX

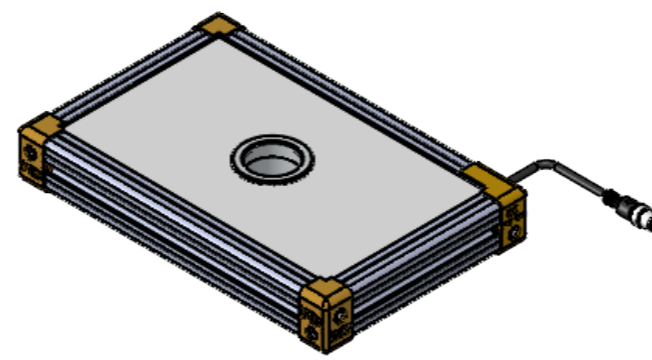
CE DOCUMENT ET LES INFORMATIONS QU'IL CONTIENT SONT CONFIDENTIELS ET SONT LA PROPRIETE EXCLUSIVE DE EFFILUX. ILS NE DOIVENT ETRE COMMUNIQUEES QU' AUX PERSONNES AYANT A EN CONNAITRE ET NE PEUVENT ETRE REPRODUITS NI DIVULGUES A TOUTE AUTRE PERSONNE SANS AUTORISATION PREALABLE ECRITE PAR EFFILUX



COUPE B-B  
ECHELLE 1 : 1  
MOUNTING: T-NUT 8MM SLOT, M6



CONNECTOR TYPE, NUMBER AND POSITION : SEE PAGE 3  
STANDARD CABLE LENGTH 500mm



NOTE:  
DIMENSIONS: XXX AND YYY ARE THE OPTICAL WIDTH AND THE OPTICAL LENGTH OF THE EFFI-FD,  
WITH  $XXX \leq YYY$   
\* FOR OTHER SIZES OF CAMERA HOLE, PLEASE REFER TO PAGE 2

PLEASE REFER TO THE SPECIFIC DOCUMENTATION FOR WIRING LAYOUT

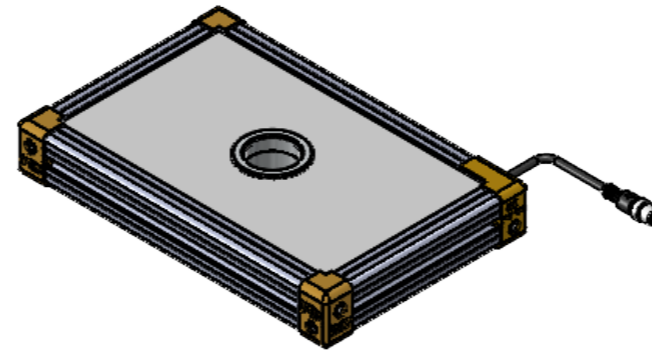
Reference <b>STANDARD EFFI-FD</b>		IP <b>5X</b>	1 Rue de Terre Neuve Mini Parc du Verger Bâtiment E 91940 Les Ulis, France	
Designation <b>EFFI-FD-XXX-YYY-ZZZ</b>		Mail: sales@effilux.fr Tel : +33 9 72 52 70 03 www.effilux.com		
Revision /	Date 10/02/2021	Unit : mm	General Tolerances	
Scale 1:3	Size A3	Page 1/3	ISO 2768 - fH-E	



THIS DOCUMENT AND THE INFORMATION IT CONTAINS ARE PROPERTY OF EFFILUX AND CONFIDENTIAL. THEY SHALL NOT BE REPRODUCED NOR DISCLOSED TO ANY PERSON EXCEPT TO THOSE HAVING A NEED TO KNOW THEM WITHOUT PRIOR WRITTEN CONSENT OF EFFILUX

CE DOCUMENT ET LES INFORMATIONS QU'IL CONTIENT SONT CONFIDENTIELS ET SONT LA PROPRIETE EXCLUSIVE DE EFFILUX. ILS NE DOIVENT ETRE COMMUNIQUEES QU' AUX PERSONNES AYANT A EN CONNAITRE ET NE PEUVENT ETRE REPRODUITS NI DIVULGUES A TOUTE AUTRE PERSONNE SANS AUTORISATION PREALABLE ECRITE PAR EFFILUX

Camera hole version				
Référence	EFFI-FD-XXX-YYY-ZZZ (Standard version)	EFFI-FD-XXX-YYY-ZZZ-D50	EFFI-FD-XXX-YYY-ZZZ-D58	EFFI-FD-XXX-YYY-ZZZ-D65
Emitting surface				
Back of the product				



PLEASE REFER TO THE SPECIFIC DOCUMENTATION FOR WIRING LAYOUT

**NOTE:**

ALL THE DIFFERENT STANDARD VERSIONS OF THE EFFI-FD ARE COMPATIBLE WITH THE EFFILUX CAMERA MOUNTING SOLUTIONS EFFM-1-VERT AND EFFM-1-HORI.

CONTACT EFFILUX FOR CUSTOM VERSION OF THE PRODUCT: OTHER SIZE OR POSITION OF THE CAMERA HOLES, ADDITIONNAL CAMERA HOLE, ...

Reference <b>STANDARD EFFI-FD</b>		IP <b>5X</b>	1 Rue de Terre Neuve Mini Parc du Verger Bâtiment E 91940 Les Ulis, France	
Designation <b>EFFI-FD-XXX-YYY-ZZZ</b>		Mail: sales@effilux.fr Tel : +33 9 72 52 70 03 www.effilux.com		
Revision /	Date 22/10/2020	Unit : mm	General Tolerances	
Scale 1:3	Size A3	Page 2/3	ISO 2768 - fH-E	

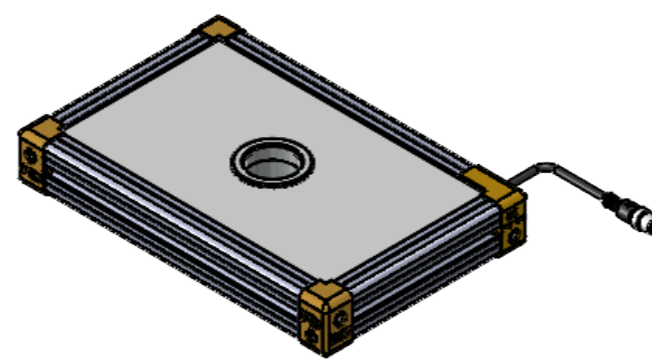
THIS DOCUMENT AND THE INFORMATION IT CONTAINS ARE PROPERTY OF EFFILUX AND CONFIDENTIAL. THEY SHALL NOT BE REPRODUCED NOR DISCLOSED TO ANY PERSON EXCEPT TO THOSE HAVING A NEED TO KNOW THEM WITHOUT PRIOR WRITTEN CONSENT OF EFFILUX

CE DOCUMENT ET LES INFORMATIONS QU'IL CONTIENT SONT CONFIDENTIELS ET SONT LA PROPRIETE EXCLUSIVE DE EFFILUX. ILS NE DOIVENT ETRE COMMUNIQUEES QU'AUX PERSONNES AYANT A EN CONNAITRE ET NE PEUVENT ETRE REPRODUITS NI DIVULGUES A TOUTE AUTRE PERSONNE SANS AUTORISATION PREALABLE ECRITE PAR EFFILUX

**Weight (kg) & Connector Type - Standard EFFI-BL / EFFI-FD**

XXX: Optical width (mm)	YYY: Optical length (mm)																				
	50	100	150	200	250	300	350	400	450	500	550	600	650	700	750	800	850	900	950	1000	1500
	50	0.4	0.5	0.7	0.8	1.0	1.1	1.3	1.4	1.5	1.7	1.8	2.0	2.1	2.3	2.4	2.6	2.7	2.9	3.0	3.2
100		0.8	1.0	1.2	1.4	1.6	1.8	2.0	2.2	2.4	2.6	2.8	3.1	3.3	3.5	3.7	3.9	4.1	4.3	4.6	6.8
150			1.2	1.5	1.8	2.0	2.3	2.5	2.8	3.1	3.3	3.6	3.8	4.1	4.4	4.6	4.9	5.2	5.5	5.7	8.5
200				1.8	2.1	2.4	2.7	3.0	3.3	3.6	4.0	4.3	4.6	4.9	5.2	5.5	5.8	6.2	6.5	6.8	10.1
250					2.5	2.8	3.2	3.5	3.9	4.2	4.6	4.9	5.3	5.6	6.0	6.3	6.7	7.1	7.4	7.8	11.6
300						3.2	3.6	4.0	4.4	4.8	5.2	5.5	5.9	6.3	6.7	7.1	7.5	8.0	8.4	8.8	13.0
350							4.0	4.5	4.9	5.3	5.7	6.2	6.6	7.0	7.5	7.9	8.4	8.8	9.3	9.7	14.4
400								4.9	5.4	5.9	6.3	6.8	7.3	7.7	8.2	8.7	9.2	9.7	10.2	10.7	15.8
450									5.9	6.4	6.9	7.4	7.9	8.4	9.0	9.5	10	10.5	11.1	11.6	17.1
500										6.9	7.5	8.0	8.6	9.1	9.7	10.2	10.8	11.4	11.9	12.5	18.5
550											8.1	8.6	9.2	9.8	10.4	11.0	11.6	12.2	12.8	13.4	19.8
600												9.3	9.9	10.5	11.1	11.8	12.4	13.0	13.7	14.3	21.1
650													10.5	11.2	11.9	12.5	13.2	13.9	14.6	15.3	22.5
700														11.9	12.6	13.3	14.0	14.7	15.5	16.2	23.8
750															13.3	14.1	14.8	15.6	16.4	17.1	25.1
800																14.9	15.7	16.5	17.2	18.1	26.4
850																	16.5	17.3	18.1	19.0	27.8
900																		18.2	19.1	19.9	29.1
950																			20.0	20.9	30.5
1000																				21.8	31.9
1500																					46.1

Electrical Power	Corresponding color	Amount & type of connectors
≤ 70W		1X M12
75W - 145W		2X M12 or 1X M12 Power
150W - 270W		3X M12 or 1X M12 Power
275W - 560W		2X M12 Power
> 560W		Specific configuration



**PLEASE REFER TO THE SPECIFIC DOCUMENTATION FOR WIRING LAYOUT**

Reference <b>STANDARD EFFI-FD</b>	IP <b>5X</b>	1 Rue de Terre Neuve Mini Parc du Verger Bâtiment E 91940 Les Ulis, France
Designation <b>EFFI-FD-XXX-YYY-ZZZ</b>		Mail: sales@effilux.fr Tel : +33 9 72 52 70 03 www.effilux.com
Revision /	Date 22/10/2020	Unit : mm
Scale 1:3	Size A3	Page 3/3
General Tolerances ISO 2768 - fH-E		Effilux Efficient Led Lighting

Number of connector	Type of connector	Drawing (Minimum bending radius R specified for fixed installation)
1	M12 - 4 pins (MALE)	
1	M12 POWER (T-Coded) - 4 pins (MALE)	
2 or 3	M12 - 4 pins (MALE)	
	M12 POWER (T-Coded) - 4 pins (MALE)	