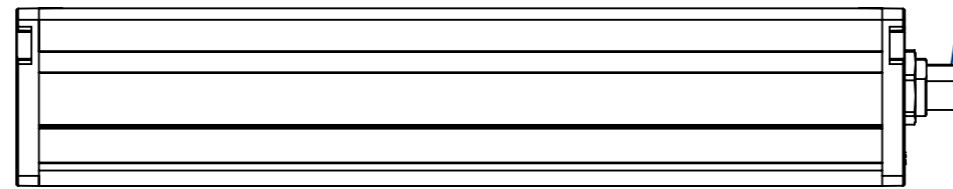
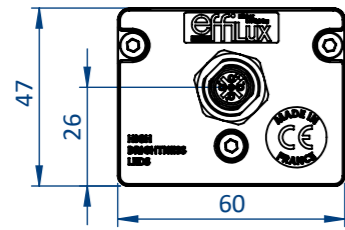
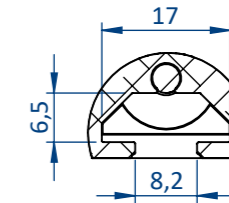
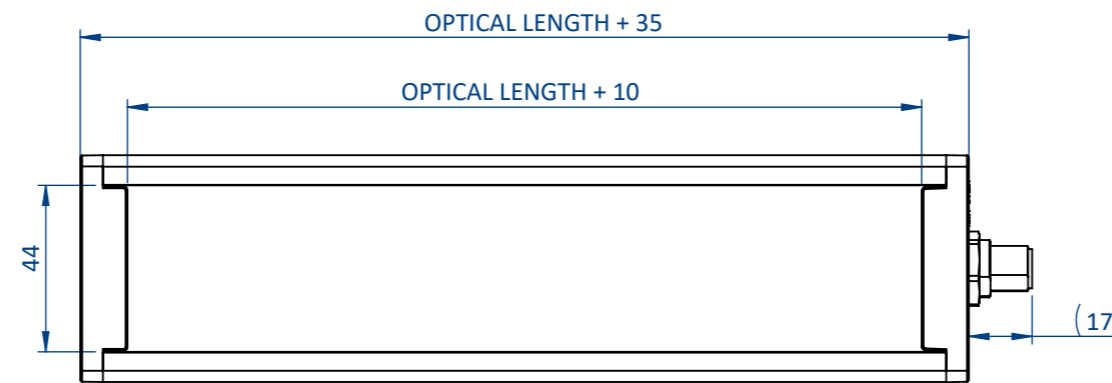
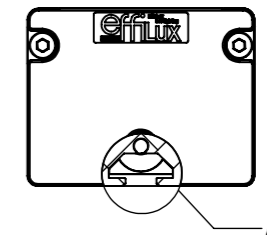


THIS DOCUMENT AND THE INFORMATION IT CONTAINS ARE PROPERTY OF EFFILUX AND CONFIDENTIAL. THEY SHALL NOT BE REPRODUCED NOR DISCLOSED TO ANY PERSON EXCEPT TO THOSE HAVING A NEED TO KNOW THEM WITHOUT PRIOR WRITTEN CONSENT OF EFFILUX

CE DOCUMENT ET LES INFORMATIONS QU'IL CONTIENT SONT CONFIDENTIELS ET SONT LA PROPRIETE EXCLUSIVE DE EFFILUX. ILS NE DOIVENT ETRE COMMUNIQUEES QU' AUX PERSONNES AYANT A EN CONNAITRE ET NE PEUVENT ETRE REPRODUITS NI DIVULGUES A TOUTE AUTRE PERSONNE SANS AUTORISATION PREALABLE ECRITE PAR EFFILUX

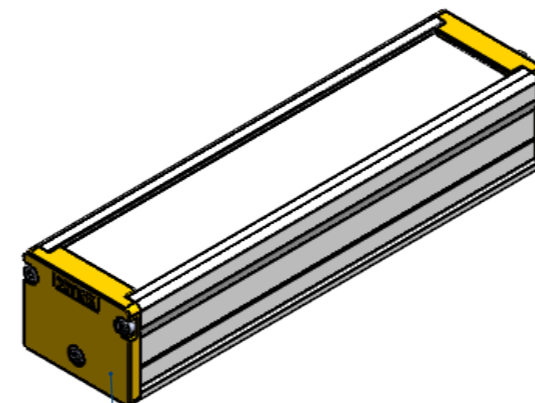


M12 OR M12P DEPENDING ON POWER CONSUMPTION. REFER TO THE DATASHEET



DETAIL A
SCALE 1 : 1
MOUNTING: T-NUT 8MM SLOT, M6

| OPTICAL LENGTH (XXX) | PRODUCT LENGTH | WEIGHT (KG) |
|----------------------|----------------|-------------|
| 200 | 235 | 0,5 |
| 400 | 435 | 1,0 |
| 600 | 635 | 1,5 |
| 800 | 835 | 2,0 |
| 1000 | 1035 | 2,5 |
| 1200 | 1235 | 2,9 |
| 1400 | 1435 | 3,4 |
| 1600 | 1635 | 3,9 |
| 1800 | 1835 | 4,4 |
| 2000 | 2035 | 4,9 |
| 2200 | 2235 | 5,3 |
| 2400 | 2435 | 5,8 |



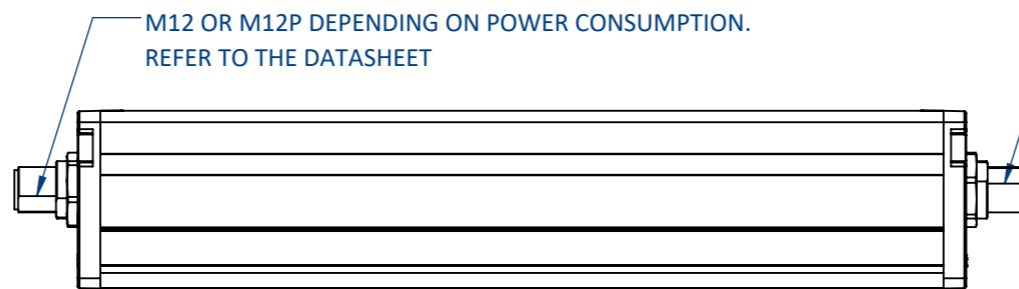
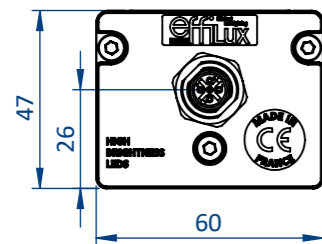
ALWAYS OPEN THE PRODUCT FROM THIS SIDE

PLEASE REFER TO THE SPECIFIC DOCUMENTATION FOR WIRING LAYOUT

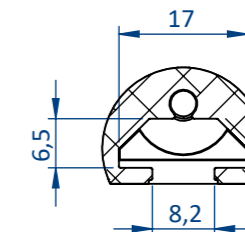
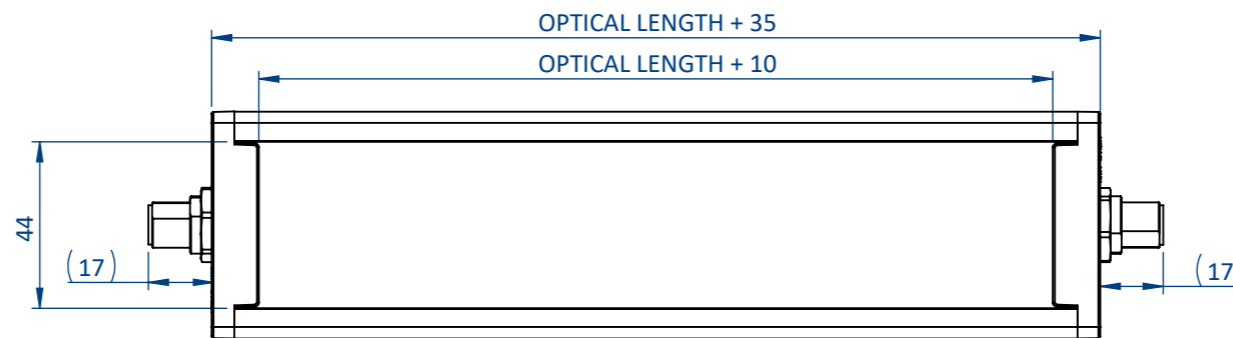
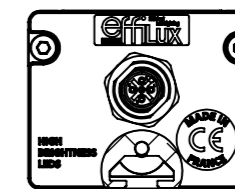
| | | | | |
|---|--------------------|--|---|--|
| Reference EFFI-FLEX LOGISTIC | | IP 5X | 1 Rue de Terre Neuve Mini Parc du Verger Bâtiment E 91940 Les Ulis, France | |
| Designation EFFI-FLEX-LG-XXXX-ZZZ-WW-PP | | Mail: sales@effilux.fr Tel : +33 9 72 52 70 03 www.effilux.com | | |
| Revision / | Date 17/11/2021 | Unit : mm | General Tolerances | |
| Scale 1:2 | Size A3 | Page 1/1 | X ≤ 300 TOL ±0,2 300 < X < 800 TOL ±0,5 X ≥ 800 TOL ± 1 | |

THIS DOCUMENT AND THE INFORMATION IT CONTAINS ARE PROPERTY OF EFFILUX AND CONFIDENTIAL. THEY SHALL NOT BE REPRODUCED NOR DISCLOSED TO ANY PERSON EXCEPT TO THOSE HAVING A NEED TO KNOW THEM WITHOUT PRIOR WRITTEN CONSENT OF EFFILUX

CE DOCUMENT ET LES INFORMATIONS QU'IL CONTIENT SONT CONFIDENTIELS ET SONT LA PROPRIETE EXCLUSIVE DE EFFILUX. ILS NE DOIVENT ETRE COMMUNIQUEES QU' AUX PERSONNES AYANT A EN CONNAITRE ET NE PEUVENT ETRE REPRODUITS NI DIVULGUES A TOUTE AUTRE PERSONNE SANS AUTORISATION PREALABLE ECRITE PAR EFFILUX

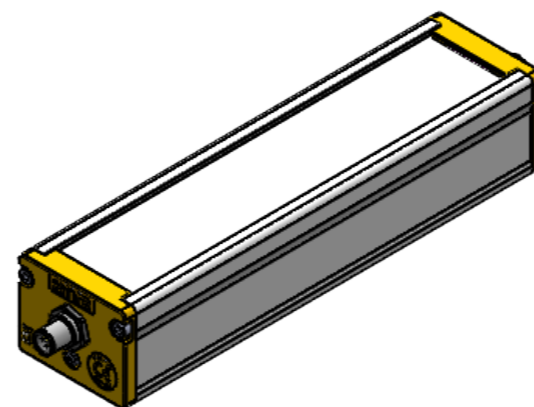


M12 OR M12P DEPENDING ON POWER CONSUMPTION. REFER TO THE DATASHEET



DETAIL A
SCALE 1 : 1
MOUNTING : T-NUT 8MM SLOT, M6

| OPTICAL LENGTH (XXX) | PRODUCT LENGTH | WEIGHT (KG) |
|----------------------|----------------|-------------|
| 200 | 235 | 0,5 |
| 400 | 435 | 1,0 |
| 600 | 635 | 1,5 |
| 800 | 835 | 2,0 |
| 1000 | 1035 | 2,5 |
| 1200 | 1235 | 2,9 |
| 1400 | 1435 | 3,4 |
| 1600 | 1635 | 3,9 |
| 1800 | 1835 | 4,4 |
| 2000 | 2035 | 4,9 |
| 2200 | 2235 | 5,3 |
| 2400 | 2435 | 5,8 |

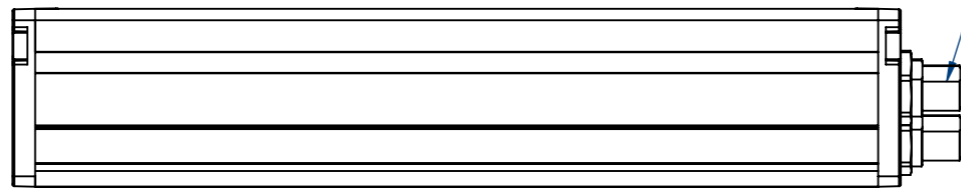
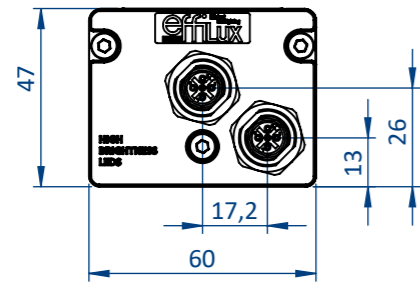


PLEASE REFER TO THE SPECIFIC DOCUMENTATION FOR WIRING LAYOUT

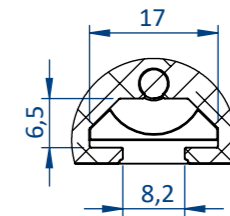
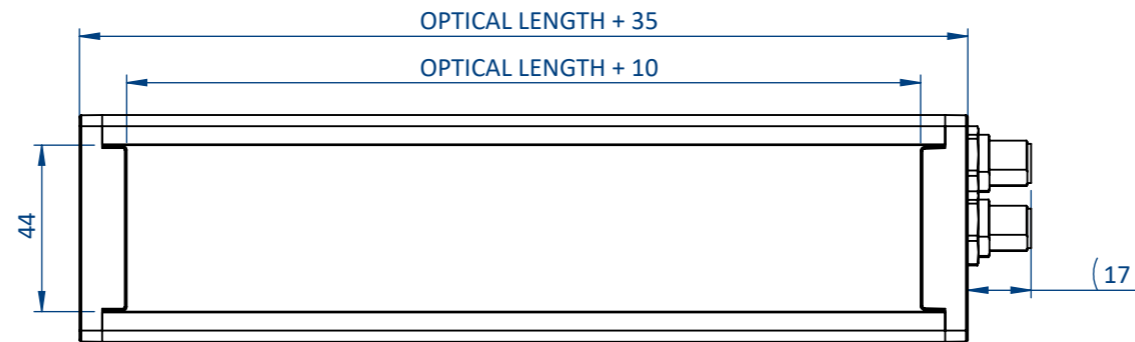
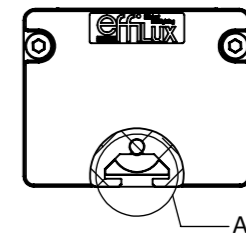
| | | | | |
|---|--------------------|-----------------|---|--|
| Reference EFFI-FLEX LOGISTIC CHO | | IP 5X | 1 Rue de Terre Neuve Mini Parc du Verger Bâtiment E 91940 Les Ulis, France | |
| Designation EFFI-FLEX-LG-XXXX-ZZZ-WW-PP-CHO | | | Mail: sales@effilux.fr Tel : +33 9 72 52 70 03 www.effilux.com | |
| Revision / | Date 17/11/2021 | Unit : mm | General Tolerances | |
| Scale 1:2 | Size A3 | Page 1/1 | X ≤ 300 TOL ±0,2 300 < X < 800 TOL ±0,5 X ≥ 800 TOL ± 1 | |

THIS DOCUMENT AND THE INFORMATION IT CONTAINS ARE PROPERTY OF EFFILUX AND CONFIDENTIAL. THEY SHALL NOT BE REPRODUCED NOR DISCLOSED TO ANY PERSON EXCEPT TO THOSE HAVING A NEED TO KNOW THEM WITHOUT PRIOR WRITTEN CONSENT OF EFFILUX

CE DOCUMENT ET LES INFORMATIONS QU'IL CONTIENT SONT CONFIDENTIELS ET SONT LA PROPRIETE EXCLUSIVE DE EFFILUX. ILS NE DOIVENT ETRE COMMUNIQUEES QU' AUX PERSONNES AYANT A EN CONNAITRE ET NE PEUVENT ETRE REPRODUITS NI DIVULGUES A TOUTE AUTRE PERSONNE SANS AUTORISATION PREALABLE ECRITE PAR EFFILUX

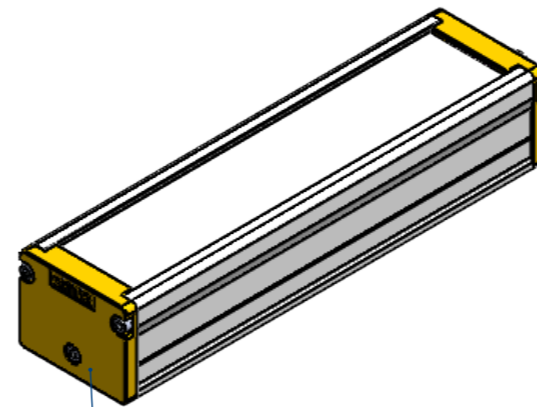


M12 OR M12P DEPENDING ON POWER CONSUMPTION. REFER TO THE DATASHEET



DETAIL A
SCALE 1 : 1
MOUNTING: T-NUT 8MM SLOT, M6

| OPTICAL LENGTH (XXX) | PRODUCT LENGTH | WEIGHT (KG) |
|----------------------|----------------|-------------|
| 200 | 235 | 0,5 |
| 400 | 435 | 1,0 |
| 600 | 635 | 1,5 |
| 800 | 835 | 2,0 |
| 1000 | 1035 | 2,5 |
| 1200 | 1235 | 2,9 |
| 1400 | 1435 | 3,4 |
| 1600 | 1635 | 3,9 |
| 1800 | 1835 | 4,4 |
| 2000 | 2035 | 4,9 |
| 2200 | 2235 | 5,3 |
| 2400 | 2435 | 5,8 |



ALWAYS OPEN THE PRODUCT FROM THIS SIDE

PLEASE REFER TO THE SPECIFIC DOCUMENTATION FOR WIRING LAYOUT

| | | | |
|---|--------------------|--|---|
| Reference EFFI-FLEX LOGISTIC CHS & CPW | | IP 5X | 1 Rue de Terre Neuve Mini Parc du Verger Bâtiment E 91940 Les Ulis, France |
| Designation EFFI-FLEX-LG-XXXX-ZZZ-WW-PP-CCC | | Mail: sales@effilux.fr Tel : +33 9 72 52 70 03 www.effilux.com | |
| Revision / | Date 19/11/2021 | Unit : mm | General Tolerances X ≤ 300 TOL ±0,2 300 < X < 800 TOL ±0,5 X ≥ 800 TOL ± 1 |
| Scale 1:2 | Size A3 | Page 1/1 | |

