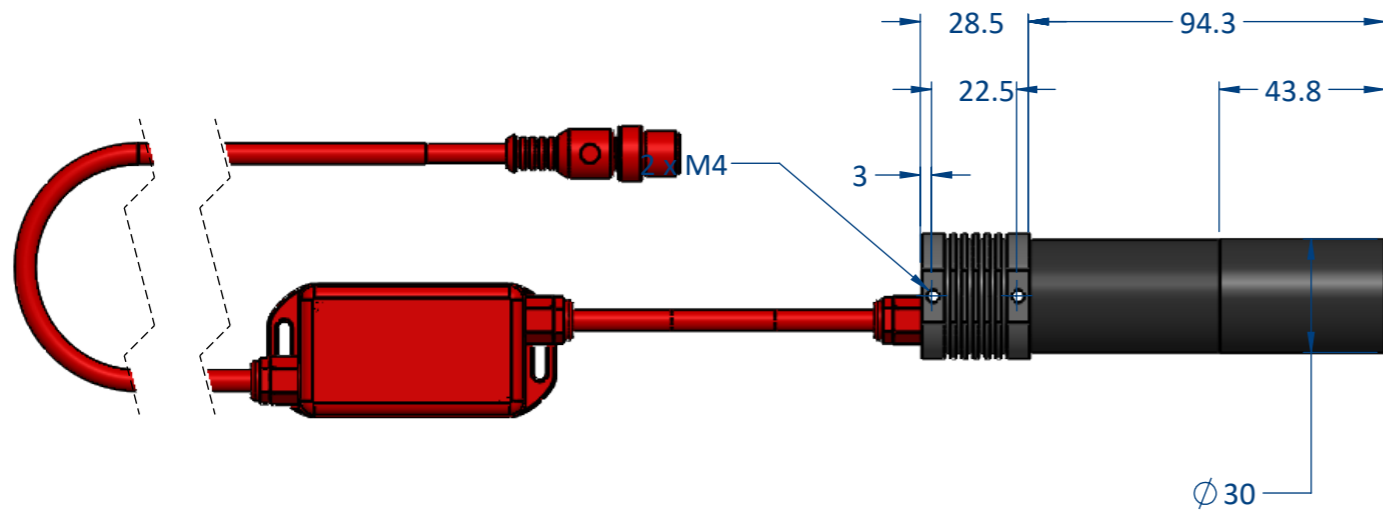


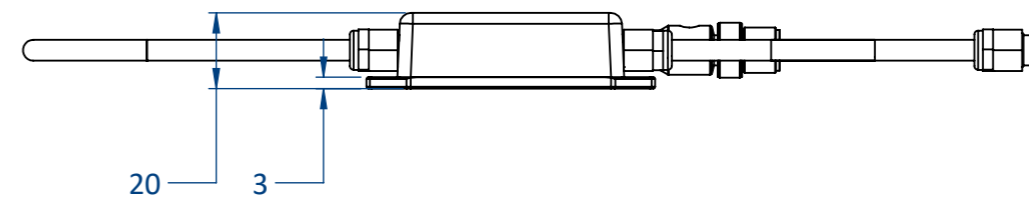
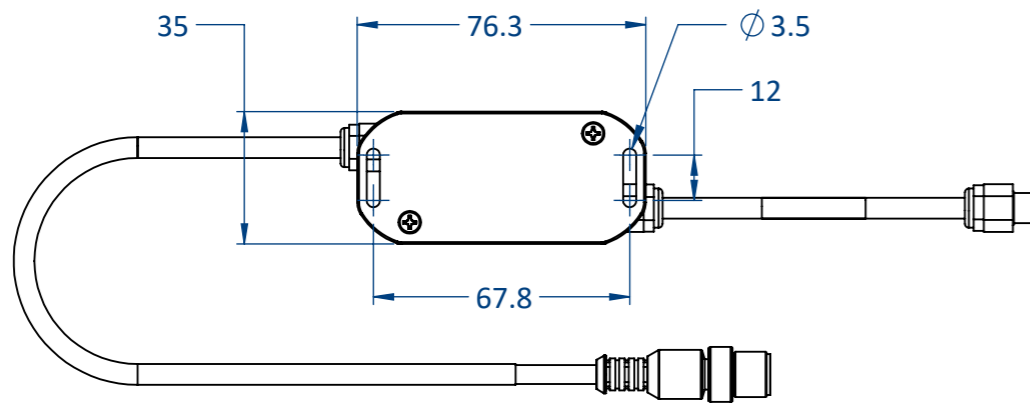
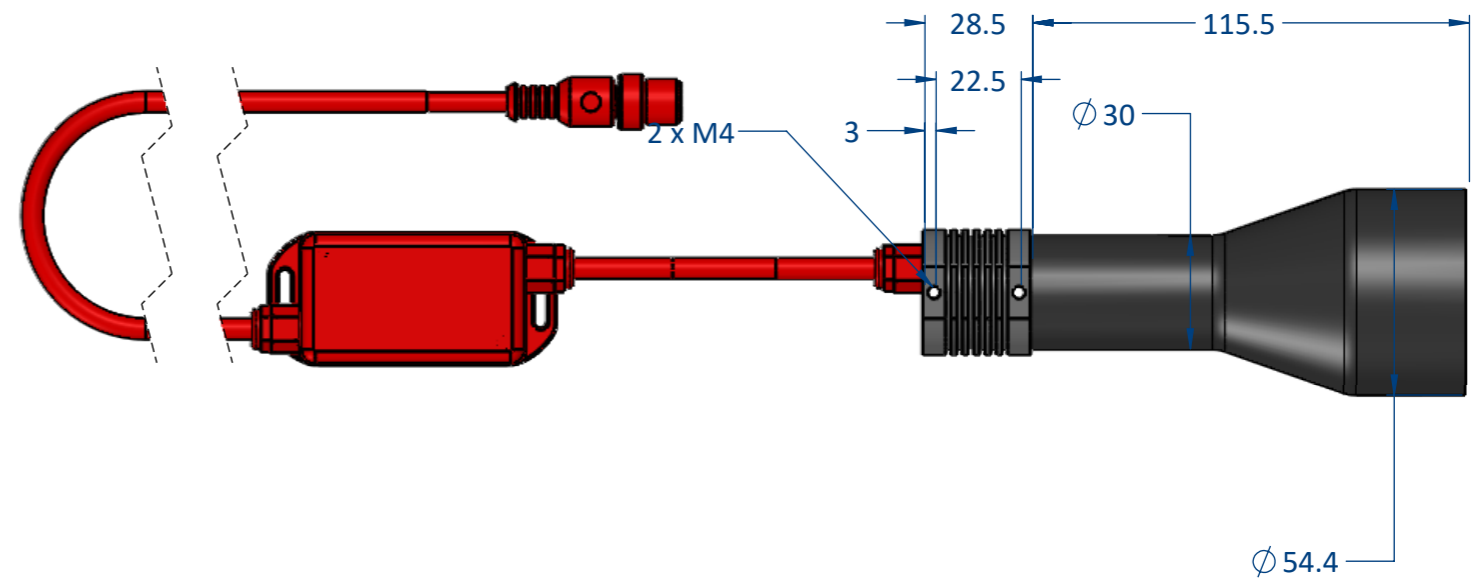
THIS DOCUMENT AND THE INFORMATION IT CONTAINS ARE PROPERTY OF EFFILUX AND CONFIDENTIAL. THEY SHALL NOT BE REPRODUCED NOR DISCLOSED TO ANY PERSON EXCEPT TO THOSE HAVING A NEED TO KNOW THEM WITHOUT PRIOR WRITTEN CONSENT OF EFFILUX

CE DOCUMENT ET LES INFORMATIONS QU'IL CONTIENT SONT CONFIDENTIELS ET SONT LA PROPRIETE EXCLUSIVE DE EFFILUX. ILS NE DOIVENT ETRE COMMUNIQUEES QU' AUX PERSONNES AYANT A EN CONNAITRE ET NE PEUVENT ETRE REPRODUITS NI DIVULGUES A TOUTE AUTRE PERSONNE SANS AUTORISATION PREALABLE ECRITE PAR EFFILUX

EFFI-TELE-20 :



EFFI-TELE-45 :



PLEASE REFER TO THE SPECIFIC DOCUMENTATION FOR WIRING LAYOUT		DES/ DRA.	25/07/2024
		APPROVED	25/07/2024

**Red components correspond to the M12 configuration (with LED driver).
For the M8 configuration (without LED driver) don't take this into account**

Reference EFFI-TELE-20-ZZZ EFFI-TELE-45-ZZZ		IP 5X	1 Rue de Terre Neuve Mini Parc du Verger Bâtiment E 91940 Les Ulis, France						
Designation EFFI-TELE-20 EFFI-TELE-45		Mail: sales@effilux.fr Tel : +33 9 72 52 70 03 www.effilux.com							
Rev /	Unit : mm	General Tolerances							
Scale 1:2	Size A3	Page 1/1	<table border="0"> <tr> <td>X ≤ 300</td> <td>TOL ±0,2</td> </tr> <tr> <td>300 < X < 800</td> <td>TOL ±0,5</td> </tr> <tr> <td>X ≥ 800</td> <td>TOL ± 1</td> </tr> </table>	X ≤ 300	TOL ±0,2	300 < X < 800	TOL ±0,5	X ≥ 800	TOL ± 1
X ≤ 300	TOL ±0,2								
300 < X < 800	TOL ±0,5								
X ≥ 800	TOL ± 1								
			Effilux Led Lighting						