



Electronic adaptor for **4-light applications** (e.g. EFFI-Square)

Compatible with almost **all** EFFILUX lights

Standard **DIN rail** box for easy installation

Conveniently adaptable to any **industrial camera** (NPN entrance signal)

Electronics	Input Connectors	Terminal block – 2 pins (Power supply) M12 – 5 pins (signals)
	Output Connectors	4 M12 – 5 pins (for 4 Effilux lights)
	Power supply	24V DC
	Output power	Max 280W @24V DC (for the 4 M12 outputs)
	Illumination mode	Continuous or strobe mode
Mechanics	Dimensions	114mm x 120mm x 35mm
	Fastener	DIN rail
	Material	Device body: ABS, Polycarbonate
Environment	Working temperature	-10°C to 50°C



Applications

EFFE-QUAD is an electronic adaptor designed to offer easy connection of up to 4 EFFILUX lights to a stereovision system. It simplifies wiring by managing the power supply and the trigger signal of each light independently.

The standard DIN rail mechanical design allows easy fitting into an electrical cabinet.

It is compatible with all EFFILUX lights with standard M12 connector and PNP trigger mode: EFFI-Flex, EFFI-Ring, EFFI-Smart, EFFI-Flex-BL, EFFI-SBL, ...

Part Number

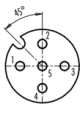


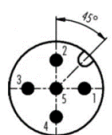
Reference:
EFFE-QUAD

Electronical considerations



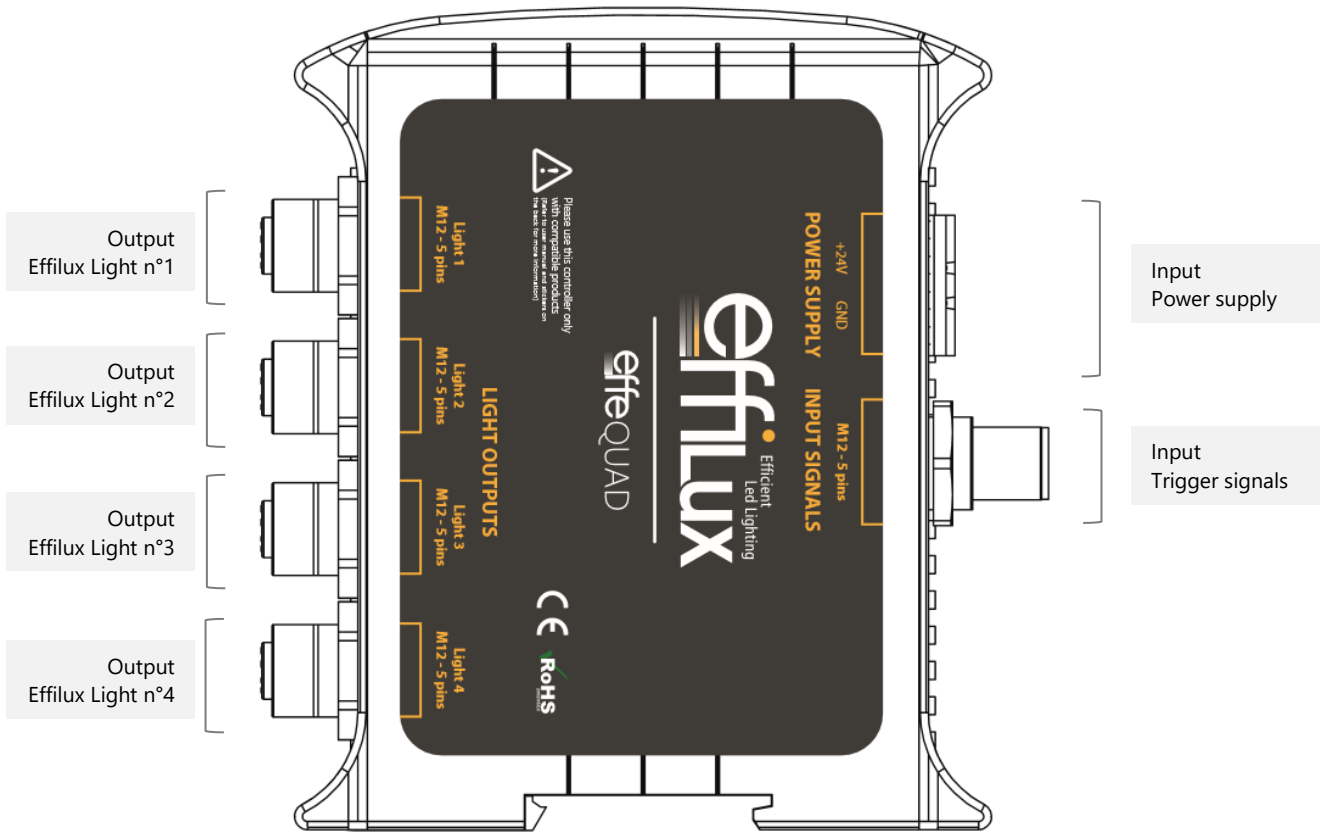
Contact arrangement

Signals INPUT – M12 connector (max 4A)			
Contact arrangement	Number	Color Contact	Designation
 1 x M12 5 pins Female connector	1	Brown	+24V : V _{in} common
	2	White	CH1-
	3	Blue	CH2-
	4	Black	CH3-
	5	Grey	CH4-
Power supply INPUT – Terminal Block (max 12A)			
Number	Designation		
1	+24V		
2	GND		

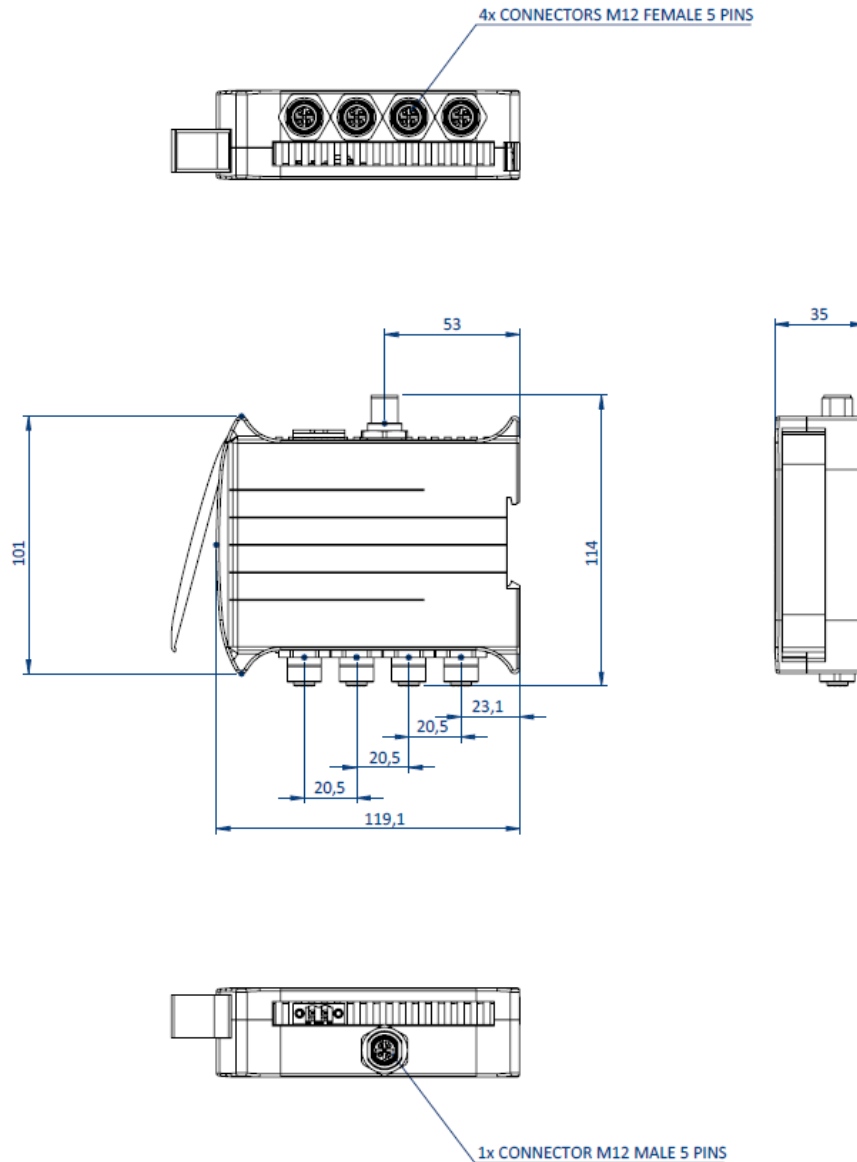
OUTPUTS – 4 x M12 Connectors for EFFILUX lights (max 4A per M12)			
Contact arrangement	Number	Color Contact	Designation
 M12 5 pins Male connector	1	Brown	+24V
	2	White	n.a.
	3	Blue	GND
	4	Black	PNP TRIGGER [rising edge] Max 24V Analog Voltage
	5	Grey	n.a.

The input power supply must be enough to supply the four products connected to the outputs of the EFFE-QUAD.

Installation



Mechanical considerations (Dimensions in mm)



Accessories (to be purchased separately)



Cable

Connectivity	Orientation	Length	Part number	Compatibility
M12 - Female / Male - 5 contacts (M12 5 contacts cables are compatible with M12 4 contacts connector)	Straight / Straight	0.3m	<i>EFFC-CAB-M12-FM-5-DD-L0.3</i>	All products with M12
		2m	<i>EFFC-CAB-M12-FM-5-DD-L2</i>	All products with M12
		5m	<i>EFFC-CAB-M12-FM-5-DD-L5</i>	All products with M12
		10m	<i>EFFC-CAB-M12-FM-5-DD-L10</i>	All products with M12