



Manual Potentiometer
Compatible with all EFFILUX lightning
Easiest light control level

Electronics	Connectors	M12- 4 or 5 Contacts (depending on the version)
	Power supply	24V DC
	Illumination mode	Continuous or strobe mode
	Power consumption	Max 96W (Standard Version) or Max 384W (Power Version)
Mechanics	Weight	200 g
	Width x length x height	95 mm x 58 mm x 51 mm
	Fastener	4 holes (Ø 5,5 mm)
	Material	Device body: Aluminum alloy
Environment	Working temperature	0°C to 50°C
	IP code	IP54

Applications



EFFI-Dimmer is the dimmer proposed by EFFILUX. It adjusts the light intensity (via control of DIM) of the following products :
EFFI-Flex "ELS" version, EFFI-Flex-BL, EFFI-BL, EFFI-FD, EFFI-Lase, EFFI-Sharp, EFFI-Telecentric, EFFI-Smart, EFFI-Lase V2...

Part Number



Reference:
EFFI-DIMMER(-**PWR**)

Electrical power version

The version must be chosen according to the power of the LED lighting product:

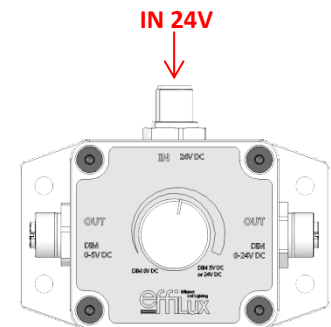
	Standard Version	Power Version
Part number	EFFI-DIMMER	EFFI-DIMMER- PWR
Electrical power	96W / 24V@4A	384W / 24V@16A
Type of INPUT connector	1X M12 male - 5 contacts	1X M12 POWER male - 4 contacts
Type of OUTPUT connector	2X M12 female - 5 contacts	2X M12 POWER female - 4 contacts

Electronical considerations



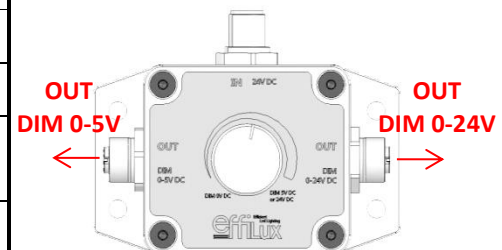
Contact arrangement

M12 MALE CONNECTOR – IN			
Contact arrangement	Number	Color Contact	Designation
<p>M12 Male connector Standard Version</p> <p>M12 Power connector Power Version</p> <p>Connector depends on product version</p>	1	Brown	+24V
	2	White	n.a.
	3	Blue	GND
	4	Black	TRIG IN* - 24V
	5	Grey	n.a.

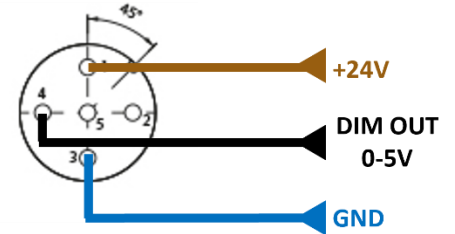
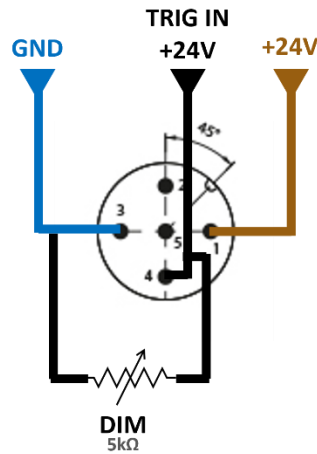
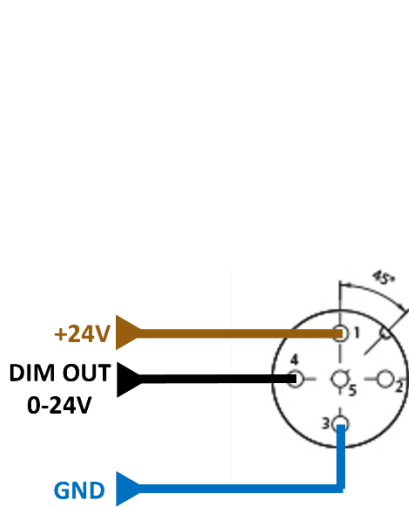


* CONTINUOUS MODE: Supply TRIG IN with 24V / STROBE MODE: Use an optocoupler to strobe TRIG IN with 24V

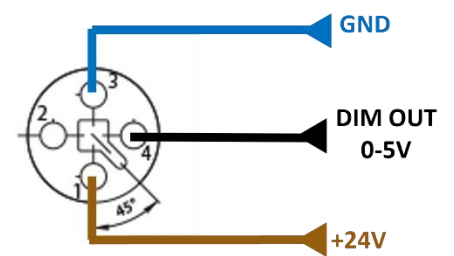
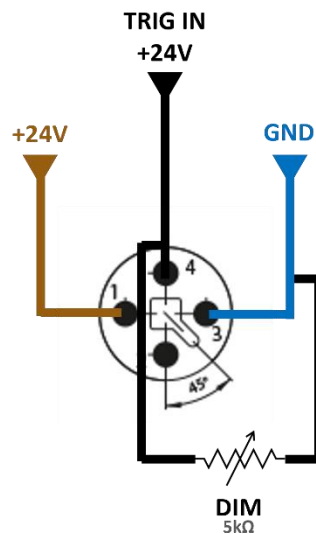
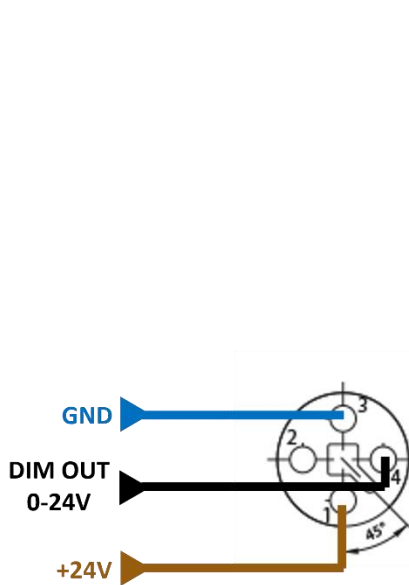
M12 FEMALE CONNECTOR – OUT			
Contact arrangement	Number	Color Contact	Designation
<p>M12 Female connector Standard Version</p> <p>M12 Power connector Power Version</p> <p>Connector depends on product version</p>	1	Brown	+24V
	2	White	n.a.
	3	Blue	GND
	4	Black	DIM OUT 0-5V or 0-24V
	5	Grey	n.a.



Electrical Scheme

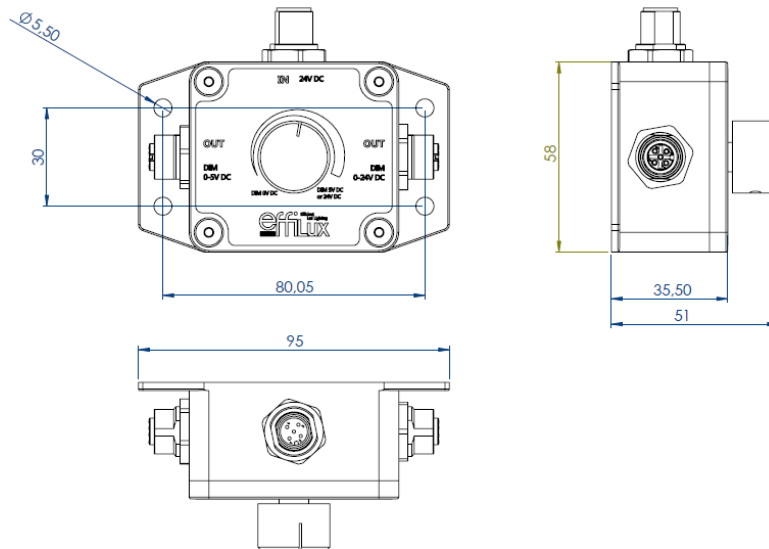


EFFI-DIMMER



EFFI-DIMMER-PWR

Mechanical considerations (Dimensions in mm)



Accessories (to be purchased separately)



Cable

Connectivity	Orientation	Length	New part number	Compatibility
M12 Power – Female / Male - 4 contacts	Straight / Straight	2 m	EFFC-CAB-M12P-FM-4-DD-L2	All products with M12P
		5 m	EFFC-CAB-M12P-FM-4-DD-L5	All products with M12P
		10 m	EFFC-CAB-M12P-FM-4-DD-L10	All products with M12P
M12 - Female / Male - 5 contacts (M12 5 contacts cables are compatible with M12 4 contacts connector)	Straight / Straight	2 m	EFFC-CAB-M12-FM-5-DD-L2	All products with M12
		5 m	EFFC-CAB-M12-FM-5-DD-L2	All products with M12
		10 m	EFFC-CAB-M12-FM-5-DD-L2	All products with M12