



Accurate edges detection and measurement

High images contrast

Homogeneous directed backlighting

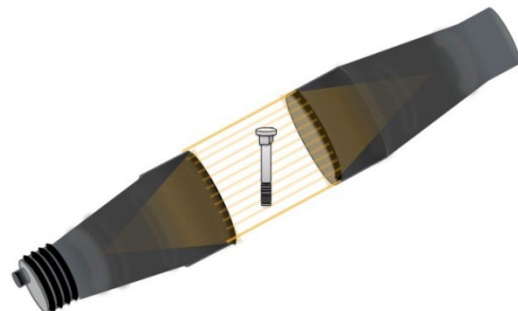
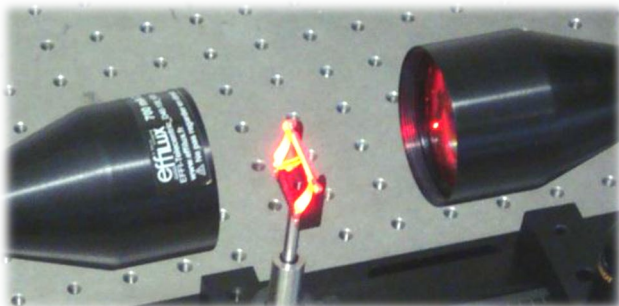
Very large range of working distances

Electronics	Connectors	M12 - 5 pins (LED driver) or M8 - 3 pins (no LED driver – direct current)
	Power supply	24V DC
	Illumination mode	Continuous or strobe mode
	Power consumption	5W
Optics	Wavelength	Various wavelengths (from UV to IR, white)
Mechanics	Weight	Depends on the version
	Width x length x height	Depends on the version
	Fastener	4X M4 holes on the side of the device
	Material	Device body : Aluminum alloy
Environment	Working temperature	0°C to 50°C
	IP code	IP54

Applications

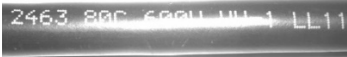



EFFI-Telecentric is a telecentric LED lighting (parallel light output) for the **measurement and edges detection** of objects with great accuracy. It is used either by backlighting or associated with a **coaxial system**.



Part Number



STANDARD part-number EFFI-TELE- XX - ZZZ					
XX : Optical diameter (mm)					
20: EFFI-TELE-20 (Length: 123mm)			45: EFFI-TELE-45 (Length: 144mm)		
ZZZ : Wavelength (nm)					
● UV 405	● Blue 465	● Green 525	● Red 625	● IR 850	○ White 000 (T°= 5500 K ± 500 K)
OPTION -POL: Polarizer					
 Without polarizer			 With polarizer		
For polarizer, add -POL at the end of the part number. Part number: EFFI-TELE- XXX - ZZZ - POL					
OPTION -STR: Without driver					
<p>Caution: Direct current = no protection</p> The direct current option gives a full control over the current sent in the LEDs. It allows strobing and more light power. Add -STR at the end of the part number. Part number: EFFI-TELEC- XXX - ZZZ - STR					

Electronical considerations



Power consumption & Contact arrangement

The average power consumption is:

- For the standard version (VVV = Ø in the part-number): 5W
- For the STR option (without LED driver), the power consumption depends on the intensity which flows in the LED.

Depending on the chosen configuration (with or without LED driver), the light comes with different connectors.

Chosen option	With LED driver	Without LED driver = STR
Contact arrangement		<p style="color: red; font-weight: bold;">⚠ Expert mode: LED are wired directly to the M8 without protection</p> <p style="color: red; font-weight: bold;">⚠ Max input intensity 700mA</p>

Notes:

- The EFFI-SHARP requires 24V DC input power.

Mode control

Chosen option	With LED driver	Without LED driver = STR																		
Dimmable continuous	<p>Output Intensity</p> <p style="text-align: right;">AIC Signal IN</p>	<p>Standard version :</p> <p>Power version :</p>																		
Adjustable strobe	Not available	<table border="1" style="margin-top: 10px; width: 100%; border-collapse: collapse;"> <thead> <tr> <th>Current</th> <th>Max pulse duration (µs)</th> <th>Duty cycle</th> </tr> </thead> <tbody> <tr> <td>1.2A</td> <td>50000</td> <td>0.5</td> </tr> <tr> <td>1.5A</td> <td>10000</td> <td>0.1</td> </tr> <tr> <td>2A</td> <td>1000</td> <td>0.01</td> </tr> <tr> <td>2.5A</td> <td>100</td> <td>0.001</td> </tr> <tr> <td>3.5A</td> <td>40</td> <td>0.0004</td> </tr> </tbody> </table>	Current	Max pulse duration (µs)	Duty cycle	1.2A	50000	0.5	1.5A	10000	0.1	2A	1000	0.01	2.5A	100	0.001	3.5A	40	0.0004
Current	Max pulse duration (µs)	Duty cycle																		
1.2A	50000	0.5																		
1.5A	10000	0.1																		
2A	1000	0.01																		
2.5A	100	0.001																		
3.5A	40	0.0004																		

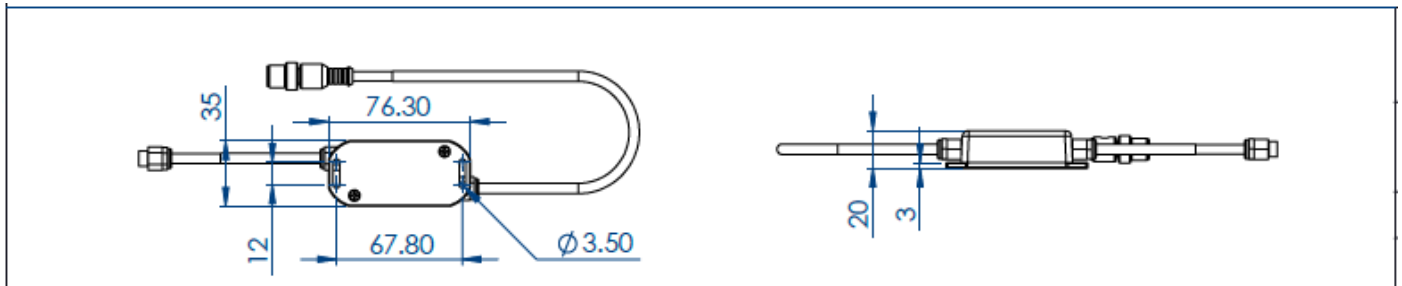
Mechanical considerations (Dimensions in mm)



Overview

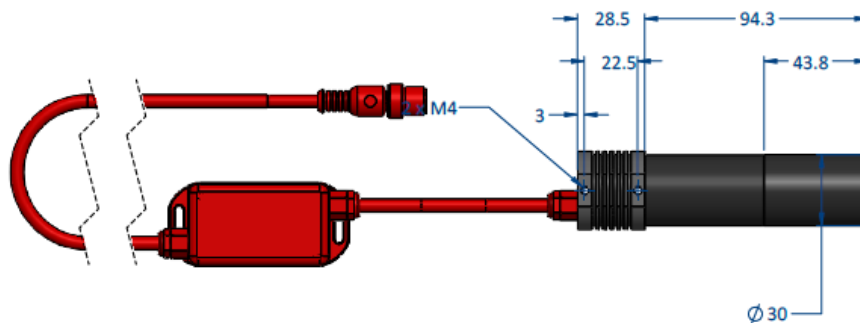
For the two existing optical diameter of the EFFI-TELE (XX = 20/45), two configurations exist either M12 (with LED driver) or M8 (without LED driver). In this section you will find the corresponding drawings for each version.

In every sketch, **the red part corresponds to the M12 configuration** and should be replaced by a M8 connector for the corresponding configuration. Here are the dimensions of the red part.



EFFI-TELE-20-ZZZ

EFFI-TELE-20 :



EFFI-TELE-45-ZZZ

EFFI-TELE-45 :

