

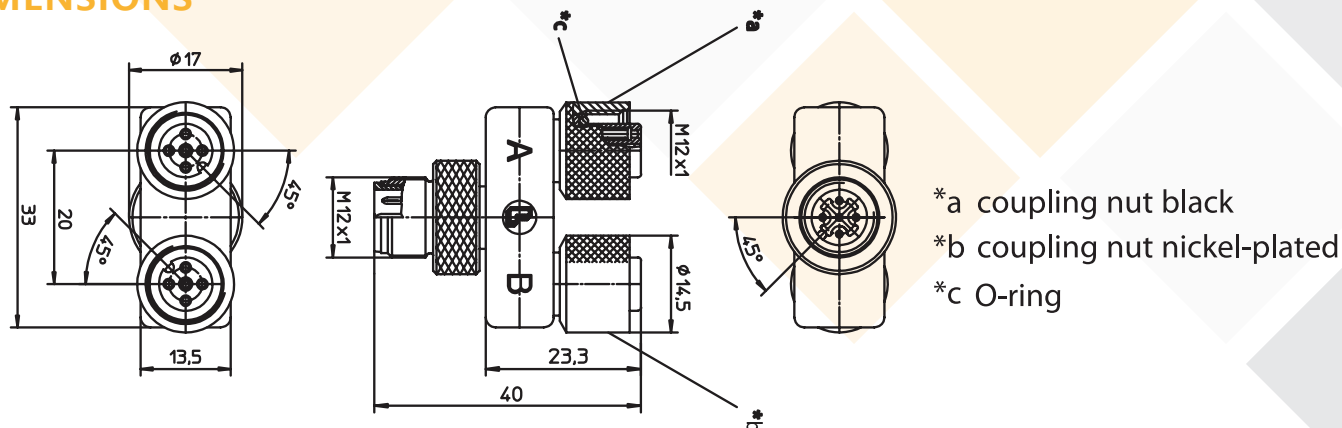


effc T-CONNECTOR

T-connector with two M12 female connectors

MECHANICAL SPECIFICATIONS

DIMENSIONS



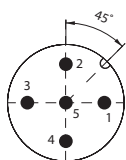
- *a coupling nut black
- *b coupling nut nickel-plated
- *c O-ring

ELECTRONICAL SPECIFICATIONS

PIN ASSIGNMENTS

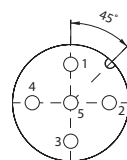
M12 - 5 pins

male connector

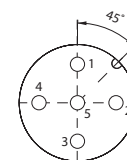


M12 - 5 pins

female connector

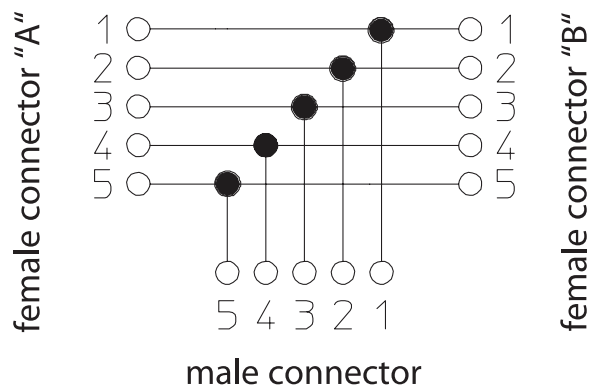


A



B

WIRING DIAGRAMS



PART NUMBER

EFFC-T-CONNECTOR

CONTACT INFORMATION

Please refer to the specific documentation (datasheet, user manual and drawing) for complementary information. Contents of this document are based on information available as of Jan-2022 and may be changed without prior notice.



EFFILUX
1, Rue de Terre Neuve
Mini Parc du Verger - Bâtiment E
91940 Les Ulis - FRANCE

Tel: +33 9 72 38 17 80
Fax: +33 9 72 11 21 69
Mail: sales@effilux.fr

Copyright 2022 Effilux - All rights Reserved