

GROUND CONNECTION KIT FOR EFFI-FLEX-CPT-WTR

IDENTIFICATION

PCN Number	0018
PCN Date	2024-03-01
PCN Status	First Notification (Announcement)

AFFECTED PRODUCT SERIES

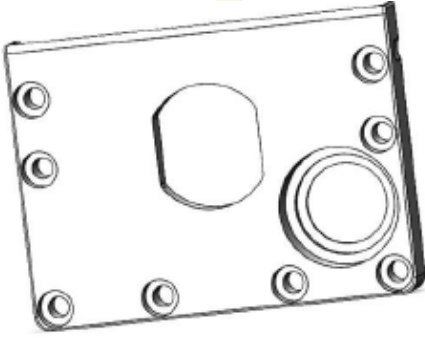
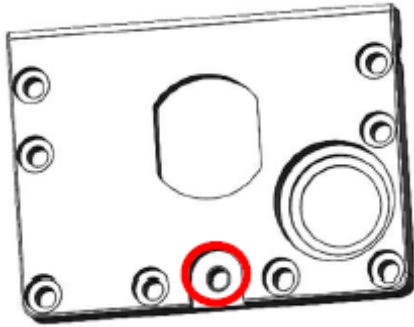
Product Series	EFFI-FLEX-CPT-WTR
Affected Products	EFFI-FLEX-CPT-WTR
Replacement Products (if applicable)	-

PRODUCT CHANGE NOTIFICATION

PCN Type	<input checked="" type="checkbox"/> Manufacturing change (Major revision) <input type="checkbox"/> Removal of Product Configurations <input type="checkbox"/> Product Status Changes to end-of-life (EOL) <input checked="" type="checkbox"/> Security related bug / Major non-conformance to specification <input type="checkbox"/> Other, specify:
Description of change	A ground connection kit is now delivered with the product to connect the housing to the ground.
Reason for change	Protect the product from corrosion.
Expected impact on customers	One more step during the installation process to wire the ground connection kit.

VALVE ADDITION ON THE EFFI-FLEX-CPT

DETAILS OF CHANGE

CURRENT	AFTER CHANGE
Connector side	Connector side with the hole for the ground connection
	

CONTACT INFORMATION

Please refer to the specific documentation (datasheet, user manual and drawing) for complementary information. Contents of this document are based on information available as of January-2024 and may be changed without prior notice.



EFFILUX
1, Rue de Terre Neuve
Mini Parc du Verger - Bâtiment E
91940 Les Ulis - FRANCE

Tel: +33 9 72 38 17 80
Fax: +33 9 72 11 21 69
Mail: sales@effilux.fr

Copyright 2022 Effilux - All rights Reserved